



the Patriot Plus

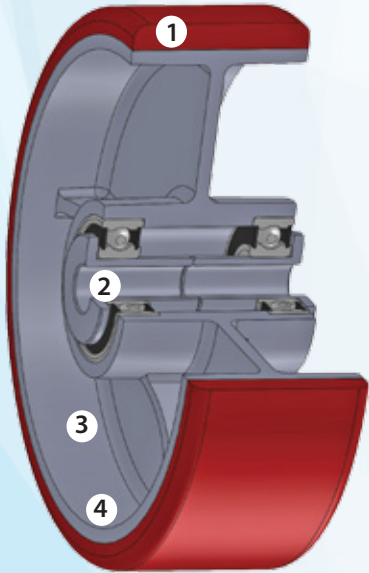
MHD Heavy Duty

Z Series

LOADMASTER

WZ4062POY

Heavy Duty Material Handling Wheel



- 1 - Diecast polyurethane tread
- 2 - Top hat spanners with dual precision bearing
- 3 - Heavy duty cast steel hub
- 4 - High quality bond to hub

The P&H **LOADMASTER Z-Series** is a part of our medium duty material handling line. Featuring high quality PolyU® diecast polyurethane tread over a cast steel hub, these wheels provide superior impact resistance and effortless rolling in rugged, industrial environments.

Their quiet operation under even the heaviest loads make them ideal for industrial and institutional applications. The Loadmaster wheels are available in a wide selection of sizes and can be assembled with a variety of casters in both rigid and swivel models.

FEATURES

Wheel

- Available in diameters from 4" up to 8"
- Maintenance free design
- Supreme bond between hub and tread
- Dual layer painted hub to prevent rusting

Yoke

- Available in swivel, rigid and brake options
- NSF approved
- Zinc plated and stainless steel options
- Upper and lower raceway seals standard

Bearing

- Dual Precision Bearings with spanners to 1/2" bore
- Extremely quiet operation
- Handles excessive loads



Z40P382ZPOL

WHEEL

WZ4062POY

Diameter	6"
Tread Width	2"
Hub Width	2 3/16"
Load Capacity	1200 lbs.
Weight	4.0 lbs.
Hardness (durometer)	A95
Bearing	Dual Precision
Bore	1/2"
Operating Temperature	-30° F to 140°F

APPLICATIONS

- Warehouse
- Loading dock
- Material handling
- Manufacturers
- Hand trucks
- Conveyors
- Dollies
- Distribution



Z42P342ZPOL

CASTER

Swivel	Rigid
Z40P342ZPOL	Z42P342ZPOL
Z40P352ZPOL	Z42P352ZPOL
Z40P362ZPOL	Z42P362ZPOL
Z40P382ZPOL	Z42P382ZPOL

*BRAKE OPTION AVAILABLE

OPTIONS

Part No.	Diameter	Bearing	Tread Width	Load Capacity	Color/Material
WZ4042POY	4"	Dual Precision	2"	800 lbs.	Red/Silver TPU
WZ4052POY	5"	Dual Precision	2"	1000 lbs.	Red/Silver TPU
WZ4062POY	6"	Dual Precision	2"	1200 lbs.	Red/Silver TPU
WZ4082POY	8"	Dual Precision	2"	1400 lbs.	Red/Silver TPU



800 354 8622
 orders@phcasters.com
 www.phcasters.com



The #1 supplier of shopping cart wheels in the U.S.