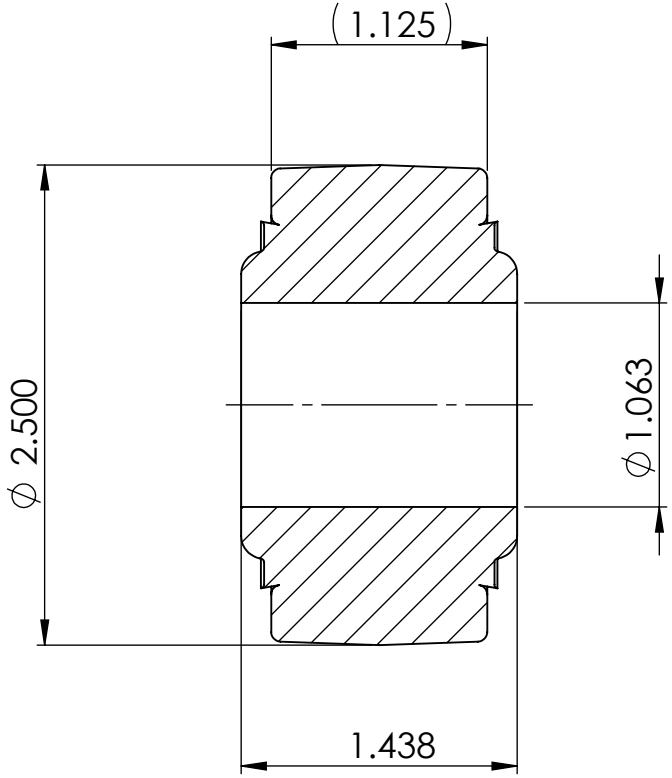
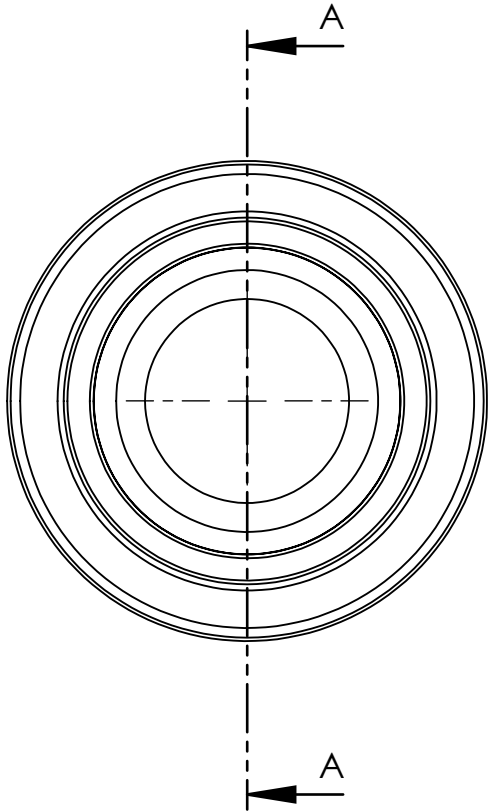


REV NO.	Revision Note	Date	Signature	Checked



SECTION A-A  
SCALE 1 : 1

<b>P&amp;H Casters</b>	Scale 1:1	Volume (mm <sup>3</sup> )	Drawn By: Ashley	Date 1/23/20
Description 2 1/2" x 1 1/8" Black Polypropylene			P&H Approval	
Part Number 255-11R-B	Revision REV A	Sheet 01	Date	<p>FIRST ANGLE PROJECTION</p>