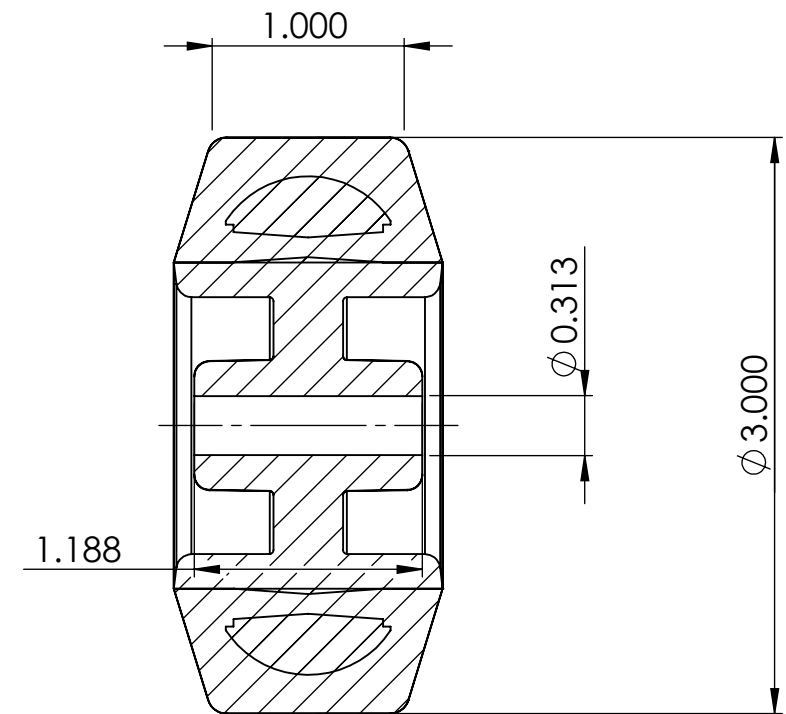
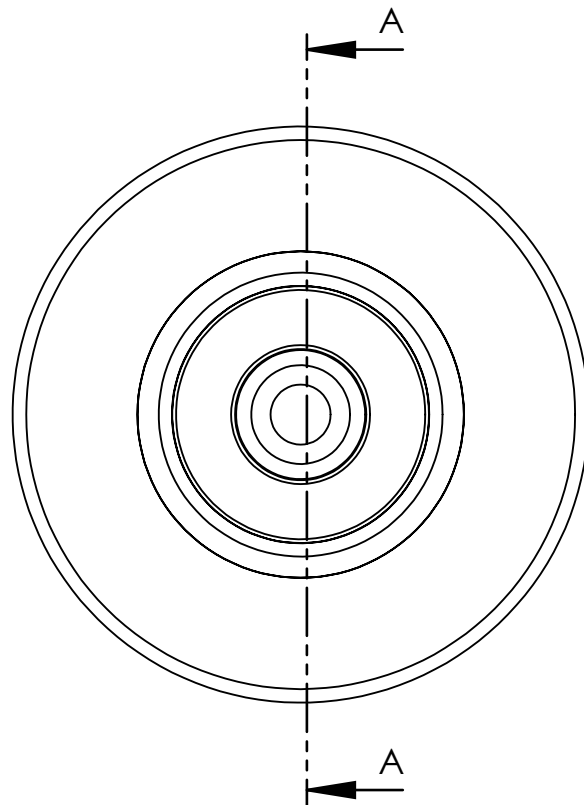
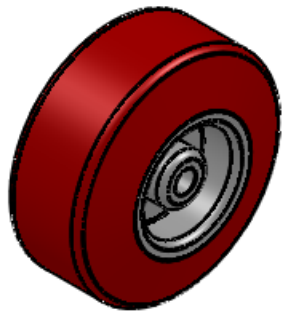


REV NO.	Revision Note	Date	Signature	Checked



SECTION A-A
SCALE 1 : 1

P&H Casters	Scale 1:1	Volume (mm ³)	Drawn By: Ashley	Date 2/5/20
Description 3" x 1" Red on white TPU			P&H Approval	
Part Number 31-21A-RW	Revision REV A	Sheet 01	Date	