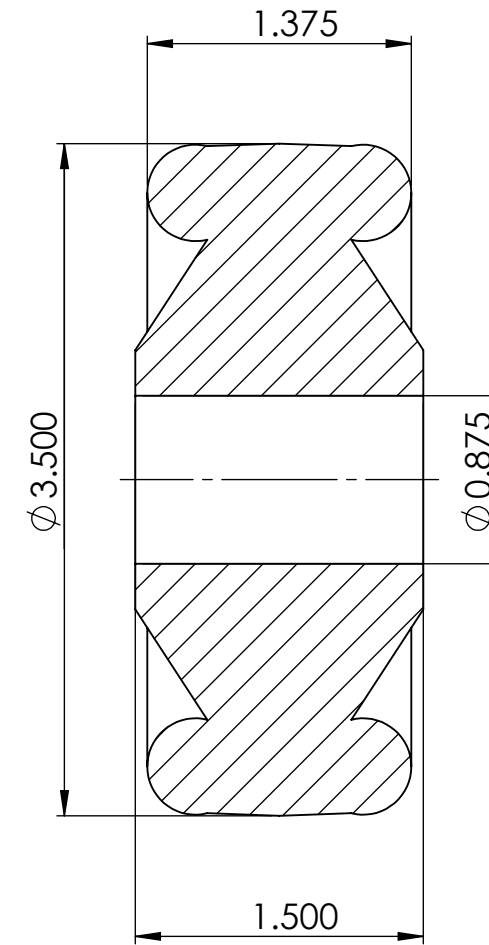
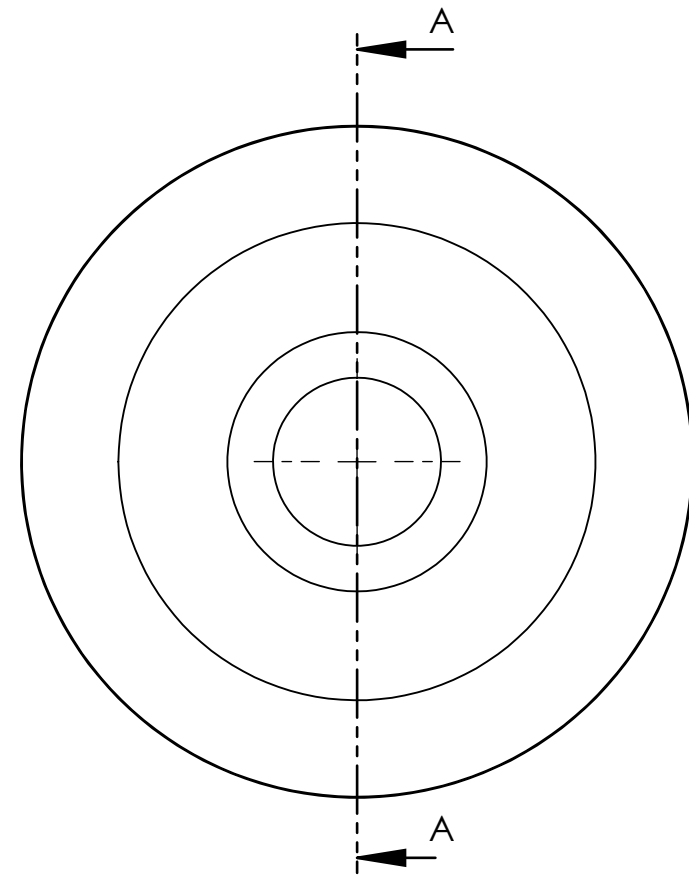


REV NO.	Revision Note	Date	Signature	Checked



SECTION A-A
SCALE 1 : 1

P&H Casters

Scale
1:1

Volume (mm³)

Drawn By:
Ashley

Date
1/24/20

Description
3 1/2" x 1 3/8" Black Polypropylene

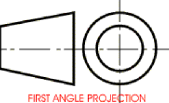
P&H Approval

Part Number
35-11V-B

Revision
REV A

Sheet
01

Date



FIRST ANGLE PROJECTION