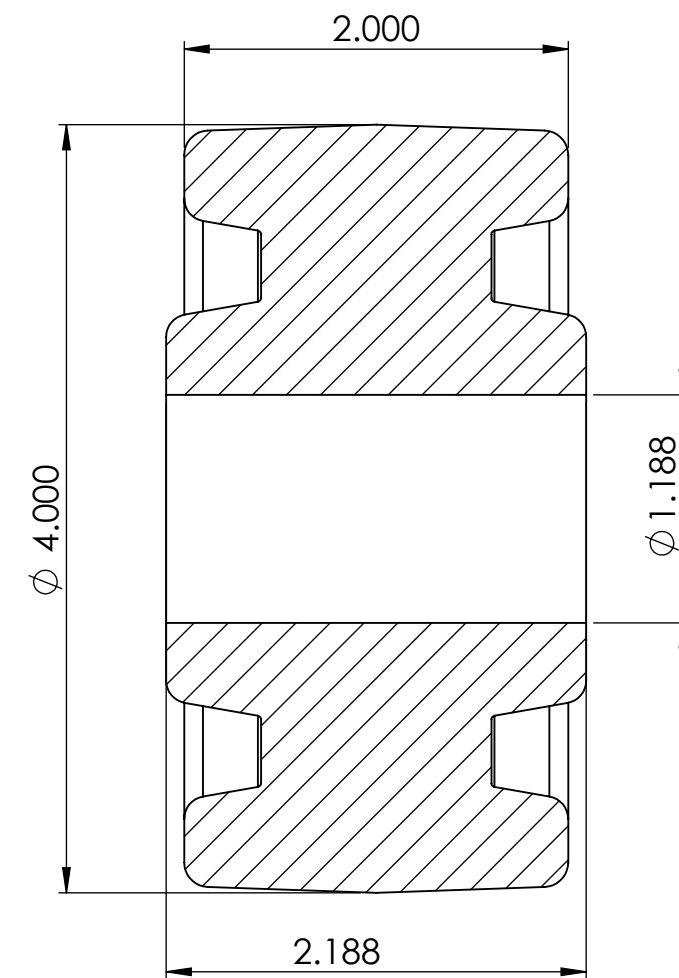
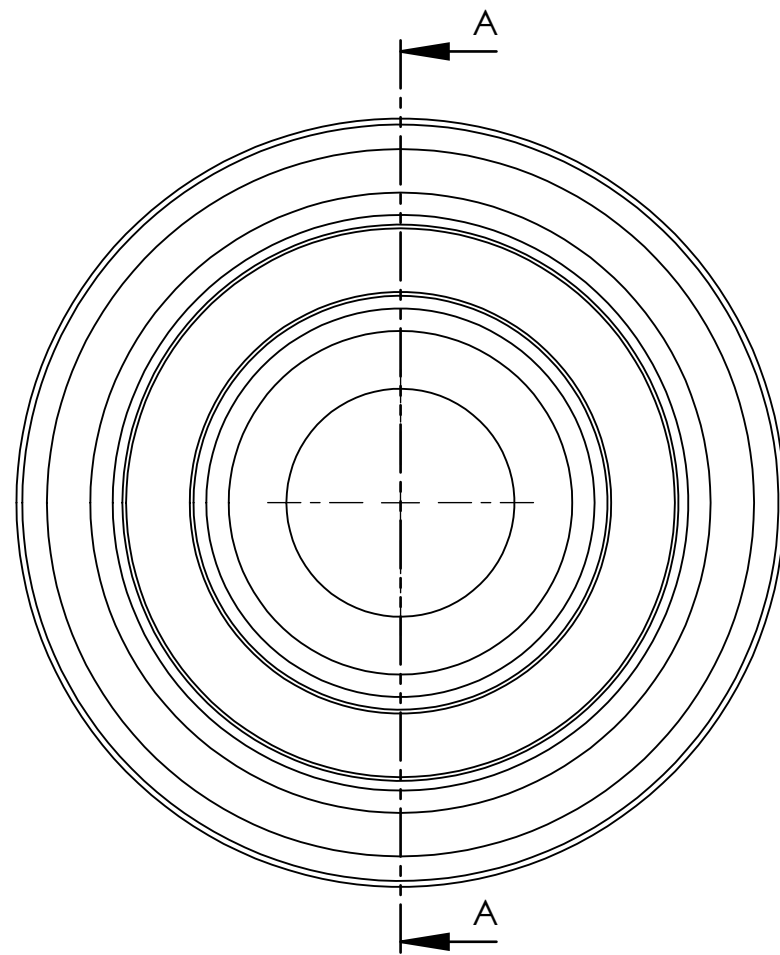


REV NO.	Revision Note	Date	Signature	Checked



SECTION A-A  
SCALE 1 : 1

**P&H Casters**

Scale  
1:1

Volume (mm<sup>3</sup>)

Drawn By:  
**Ashley**

Date  
1/22/20

Description  
4" x 2" White Polypropylene

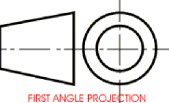
P&H Approval

Part Number  
42-11XL-W

Revision  
Rev A

Sheet  
**01**

Date



FIRST ANGLE PROJECTION