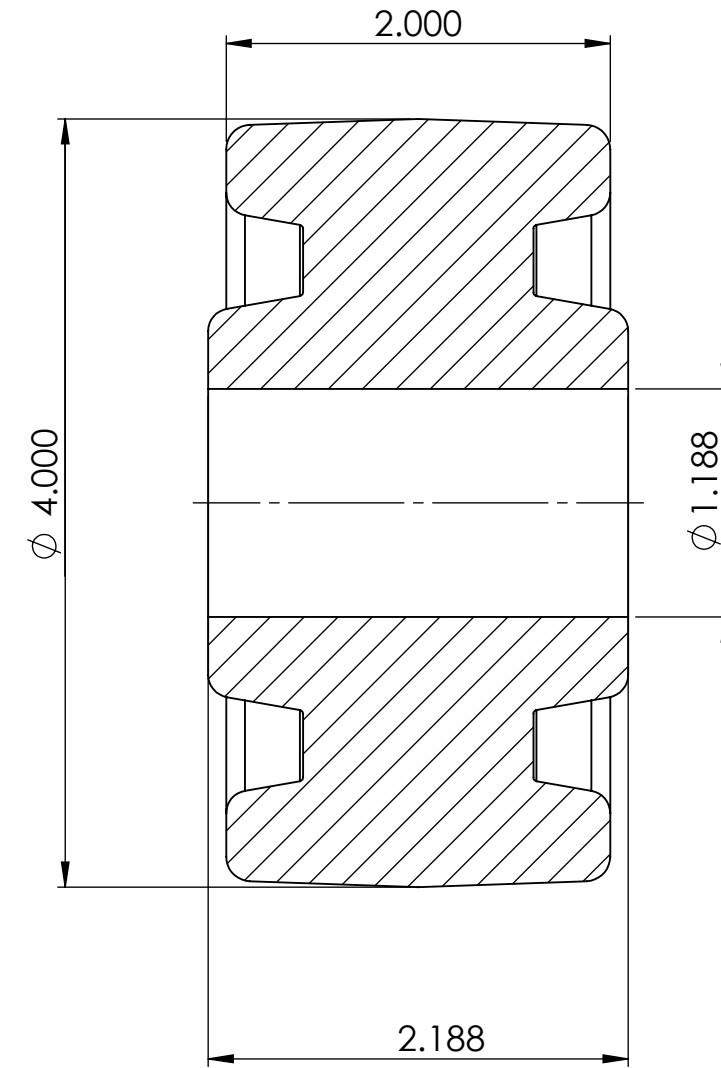
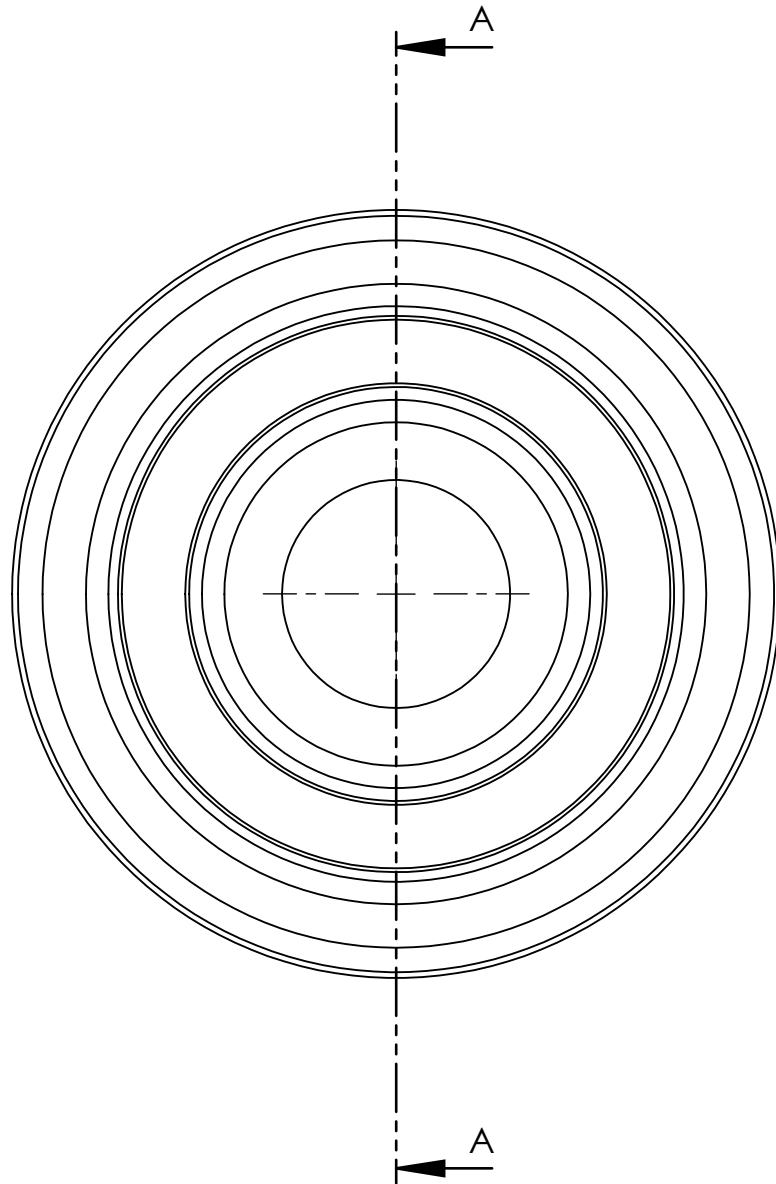
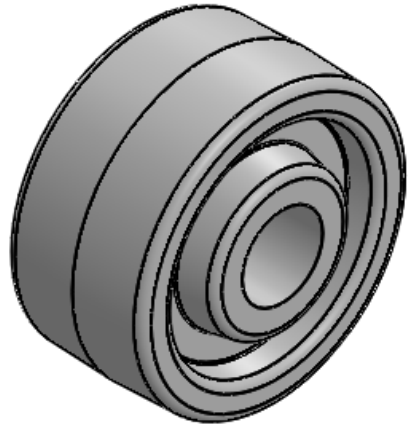


REV NO.	Revision Note	Date	Signature	Checked



SECTION A-A
SCALE 1 : 1

P&H Casters	Scale 1:1	Volume (mm ³)	Drawn By: Ashley	Date 1/17/20
Description 4x2 White Retort			P&H Approval	
Part Number 42-121XL-W	Revision REV A	Sheet 01	Date	