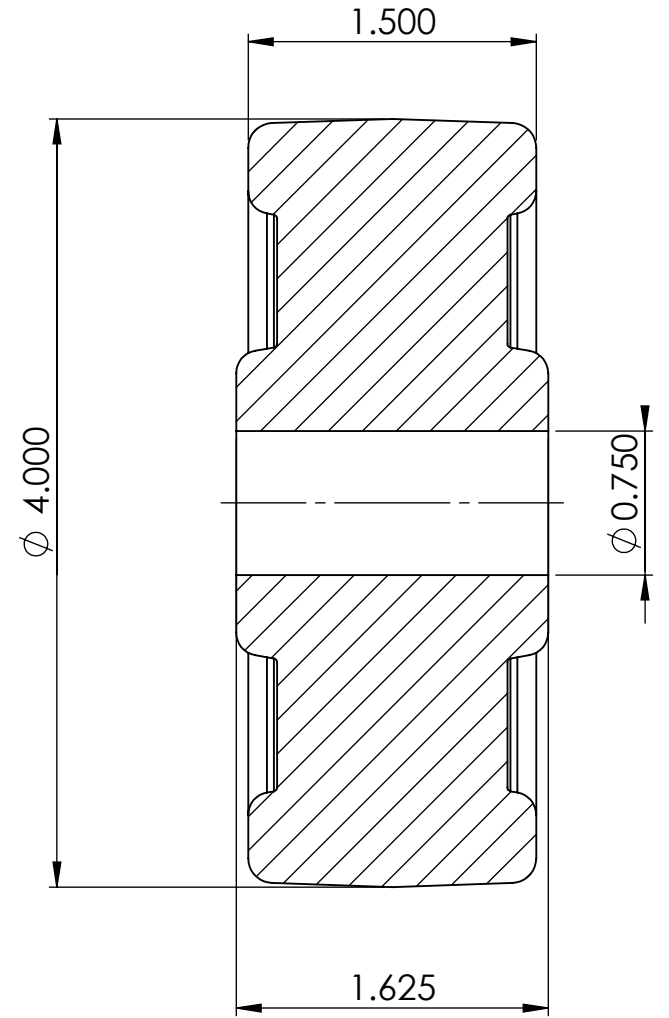
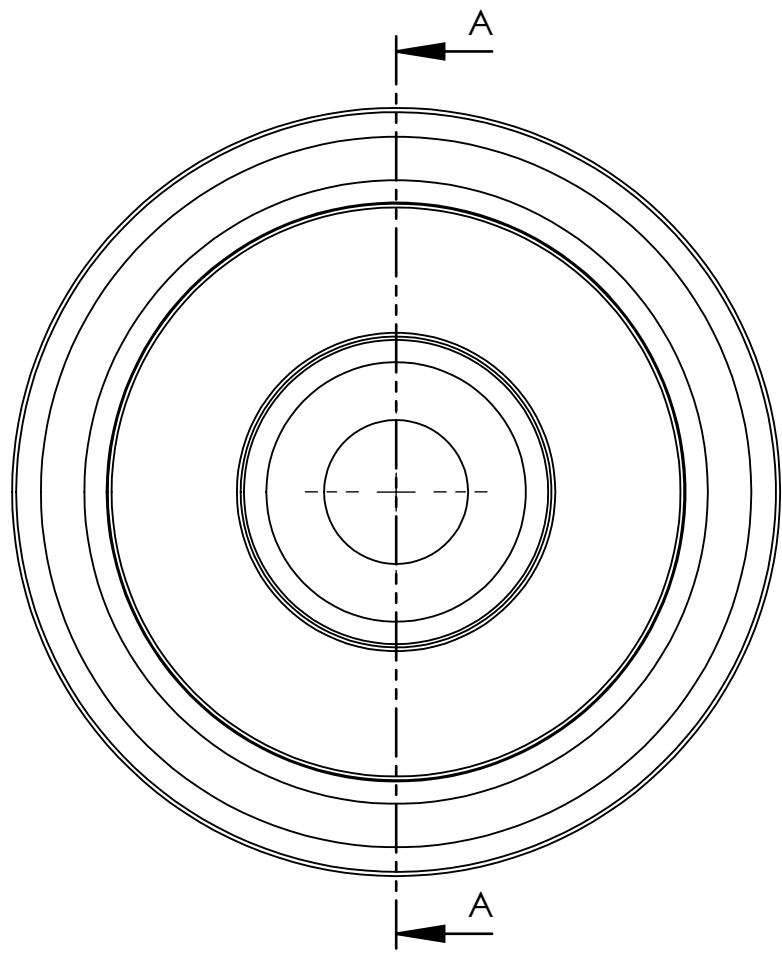


REV NO.	Revision Note	Date	Signature	Checked



SECTION A-A
SCALE 1 : 1

P&H Casters	Scale 1:1	Volume (mm ³)	Drawn By: Ashley	Date 1/21/20
Description 4" X 1 1/2" Black Polypropylene		P&H Approval		
Part Number 45-11E-B	Revision Rev A	Sheet 01	Date	