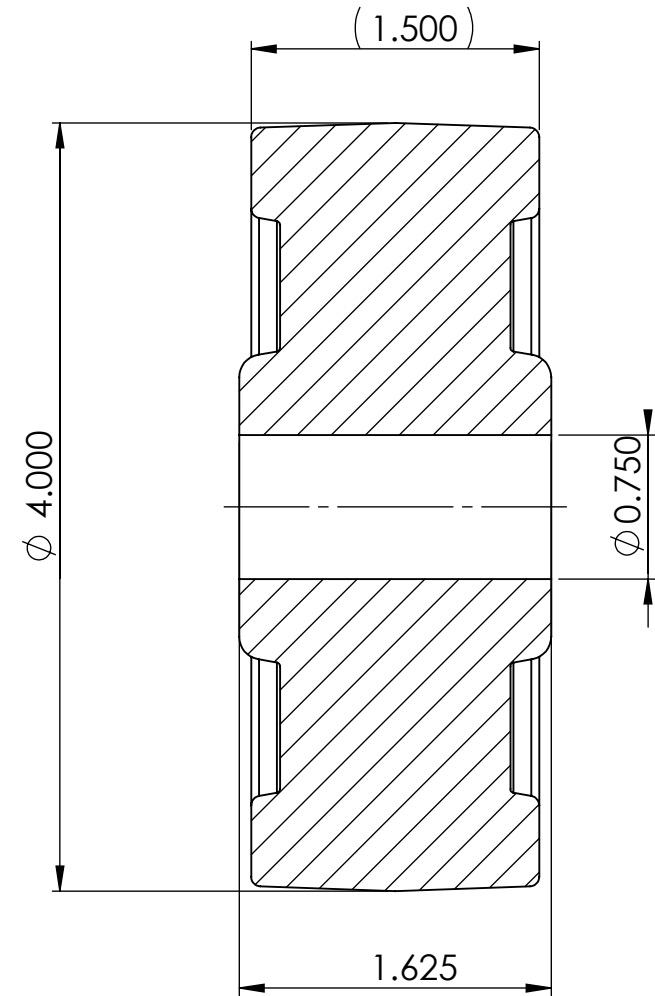
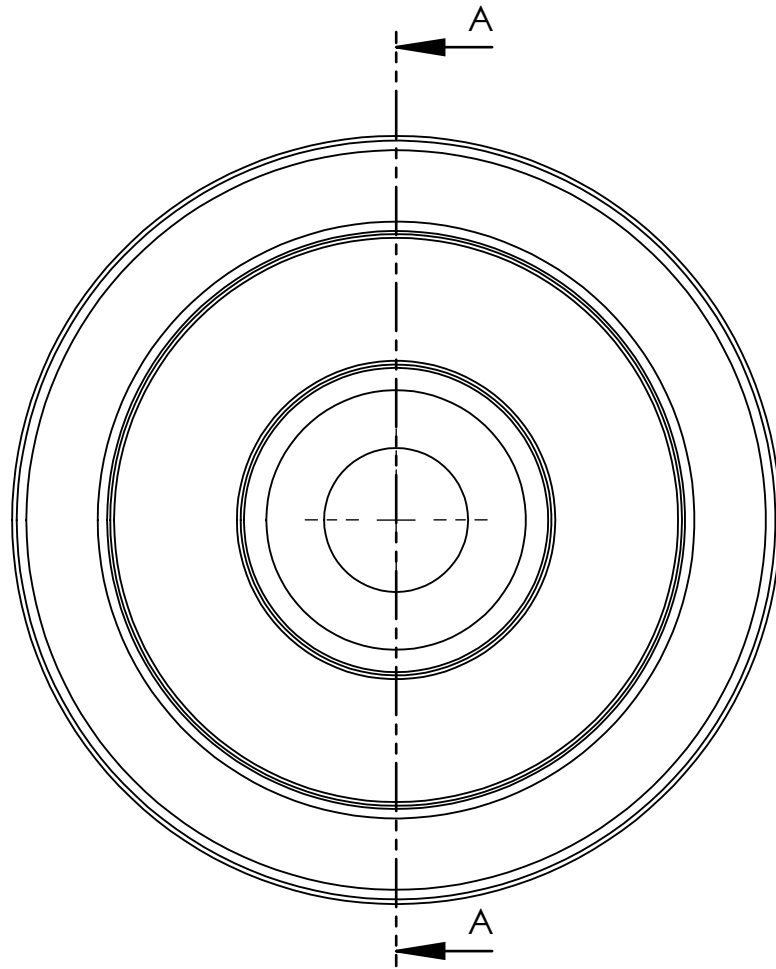
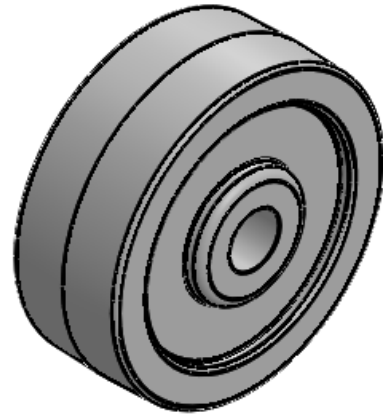


REV NO.	Revision Note	Date	Signature	Checked



SECTION A-A  
SCALE 1 : 1

**P&H Casters**

Scale  
1:1

Volume (mm<sup>3</sup>)

Drawn By:  
Ashley

Date  
1/23/20

Description  
4" X 1 1/2" White Polypropylene

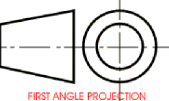
P&H Approval

Part Number  
45-11E-W

Revision  
REV A

Sheet  
01

Date



FIRST ANGLE PROJECTION