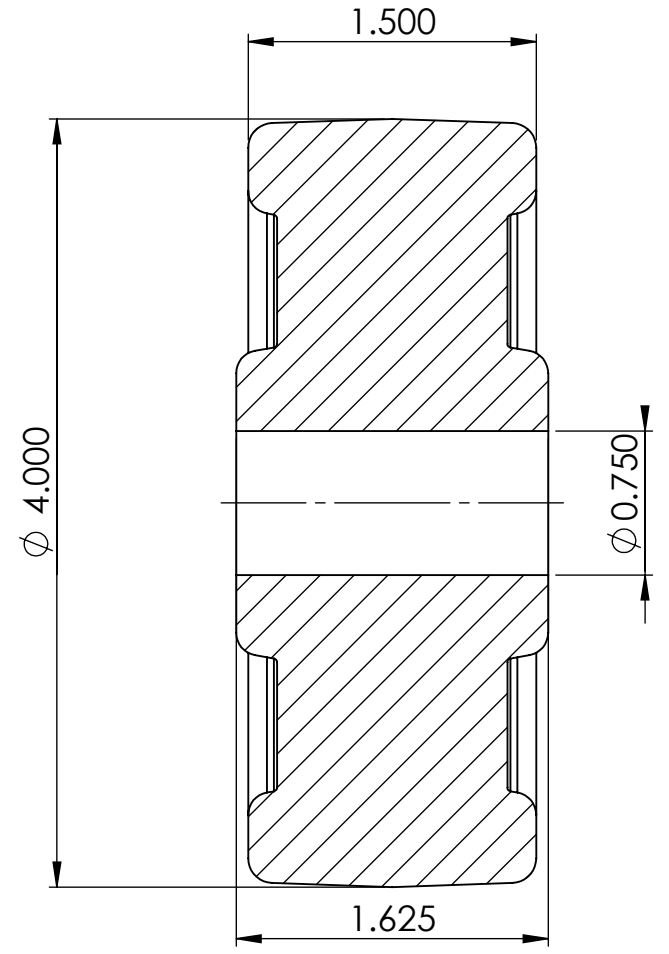
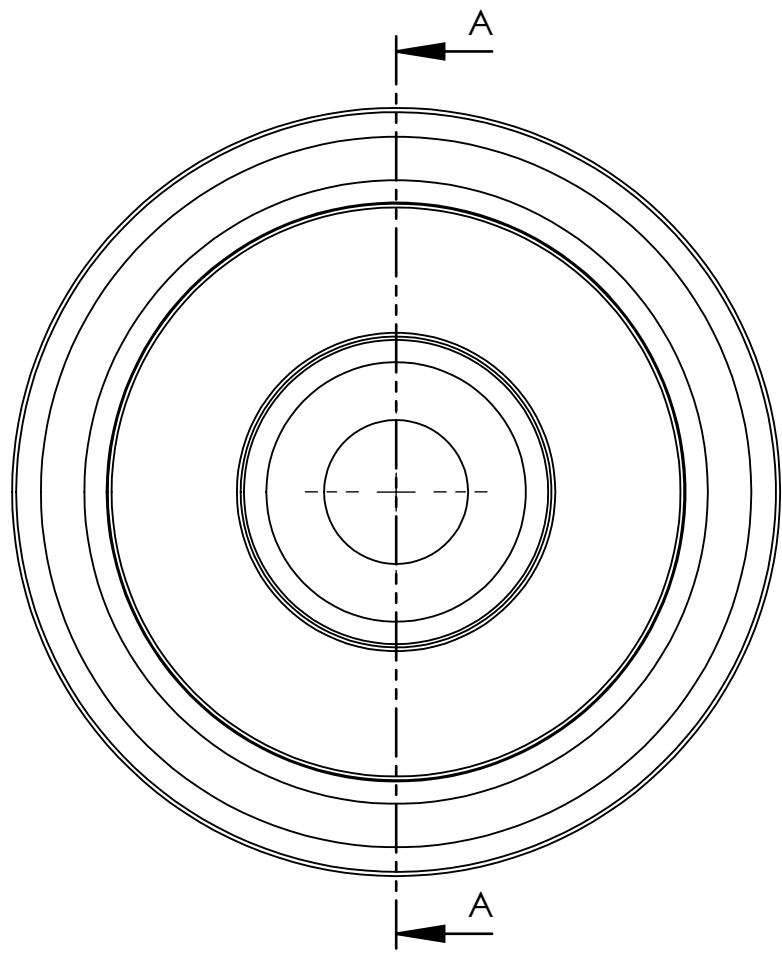


| REV NO. | Revision Note | Date | Signature | Checked |
|---------|---------------|------|-----------|---------|
| | | | | |



SECTION A-A
SCALE 1 : 1

| | | | | |
|--|-------------------|---------------------------|----------------------------|-----------------|
| P&H Casters | Scale 1:1 | Volume (mm ³) | Drawn By: Ashley | Date 1/22/20 |
| Description 4" X 1 1/2" Black HeatEater | | | P&H Approval | |
| Part Number 45-171E-B | Revision Rev A | Sheet 01 | Date | |