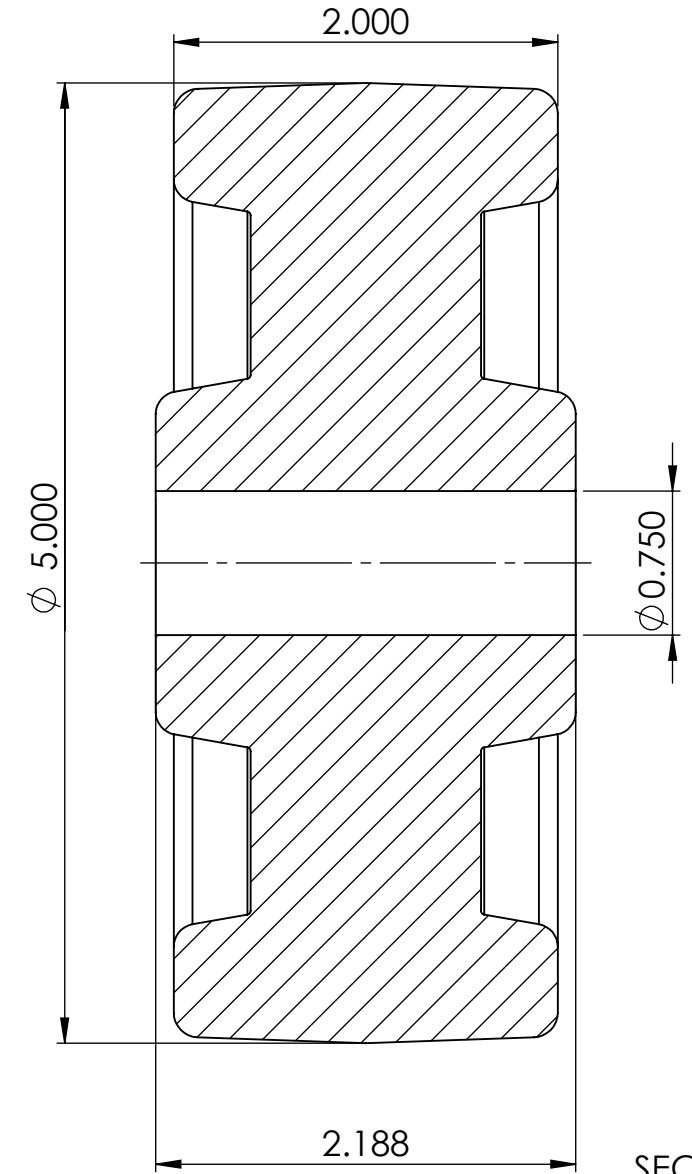
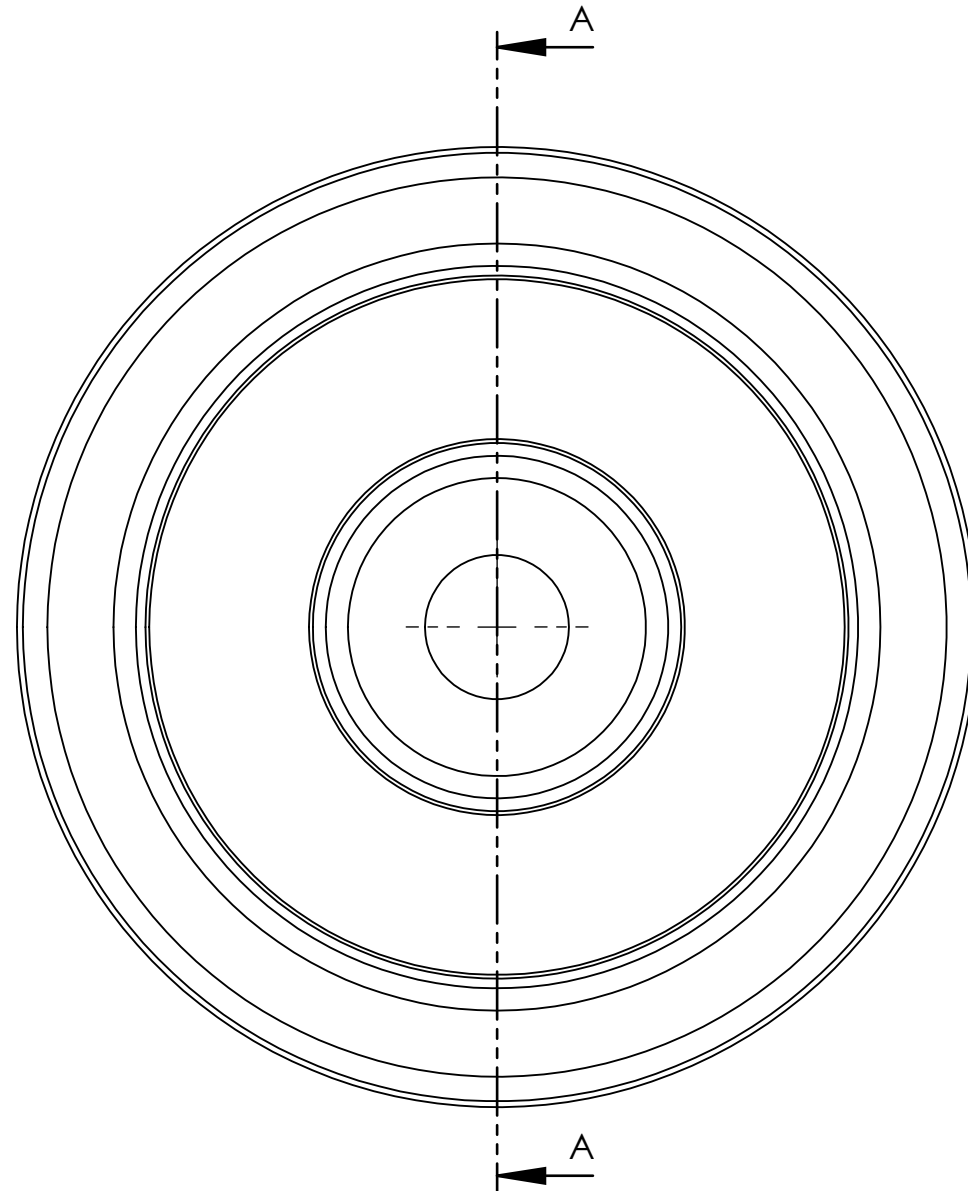


REV NO.	Revision Note	Date	Signature	Checked



P&H Casters	Scale 1:1	Volume (mm ³)	Drawn By: Ashley	Date 1/23/20
Description 5" x 2" Black Polypropylene			P&H Approval	
Part Number 52-11E-B	Revision Rev A	Sheet 01	Date	