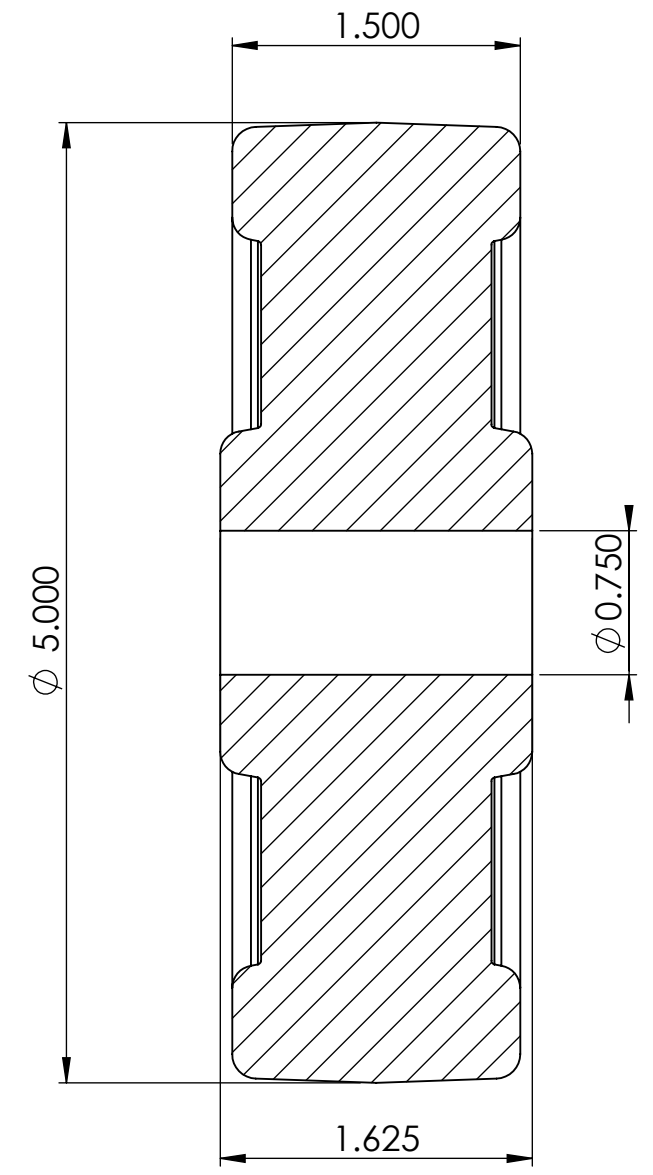
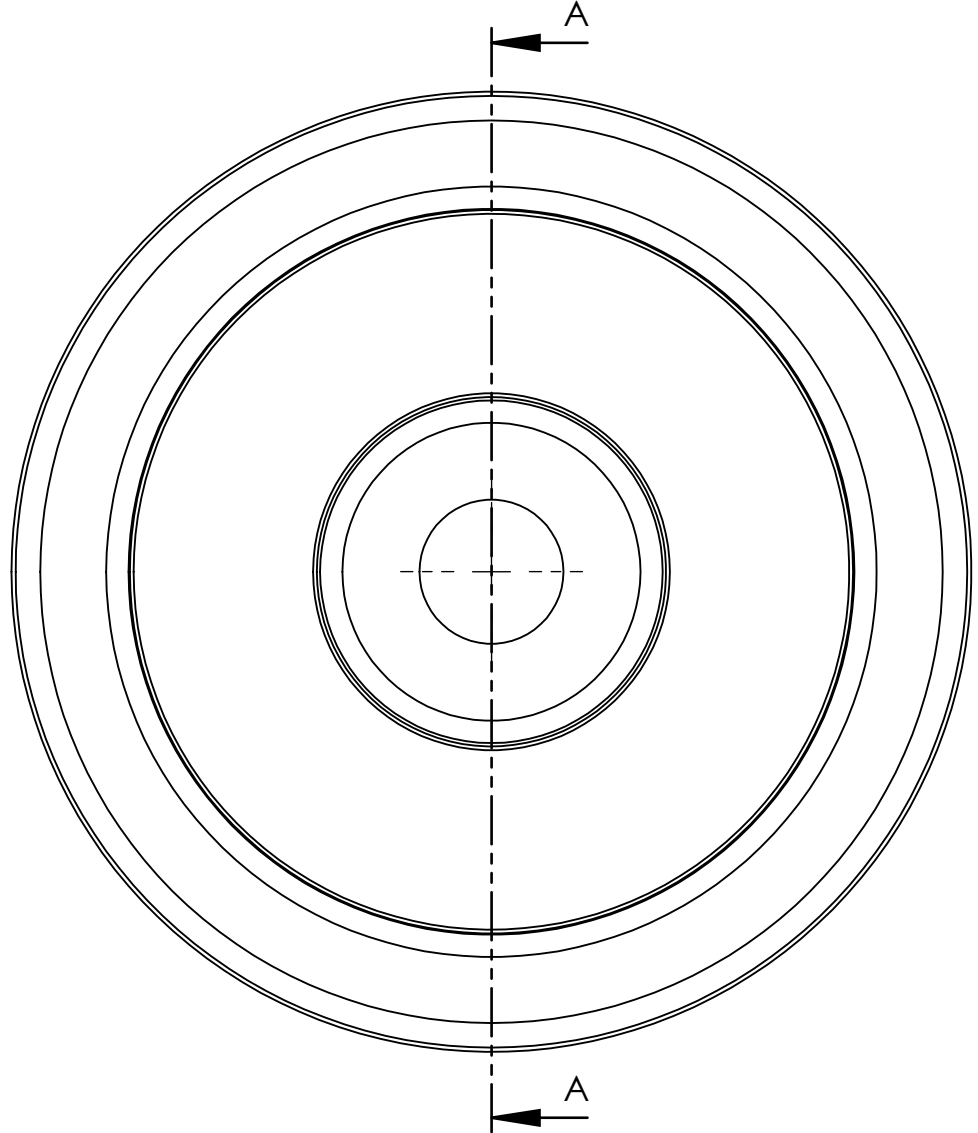


REV NO.	Revision Note	Date	Signature	Checked



SECTION A-A
SCALE 1 : 1

P&H Casters	Scale 1:1	Volume (mm ³)	Drawn By: Ashley	Date 1/22/20
Description 5" X 1 1/2" Black HeatEater			P&H Approval	
Part Number 55-171E-B	Revision Rev A	Sheet 01	Date	