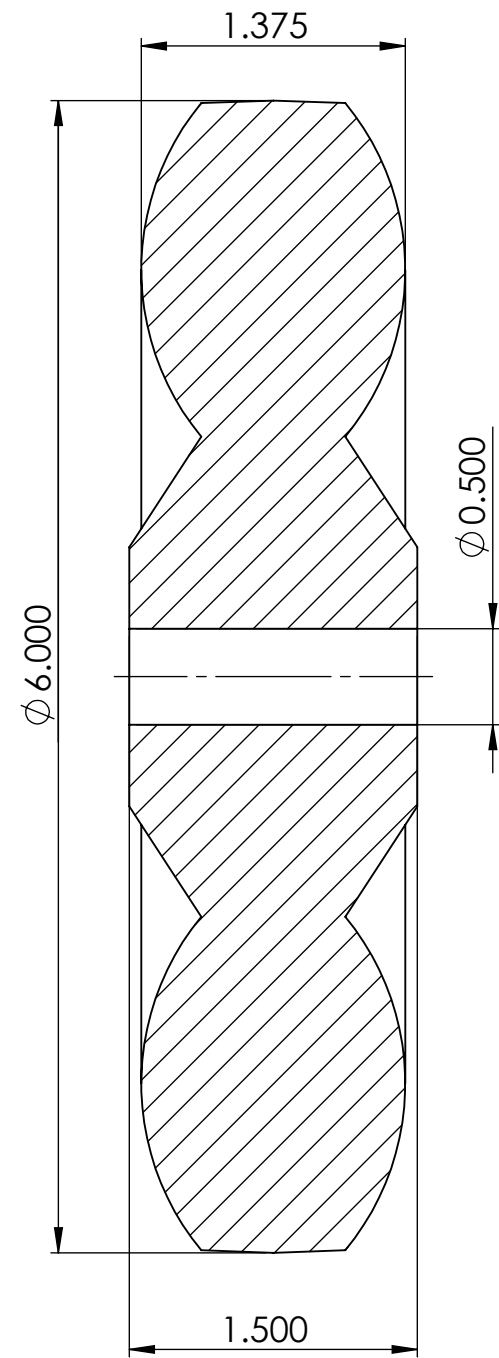
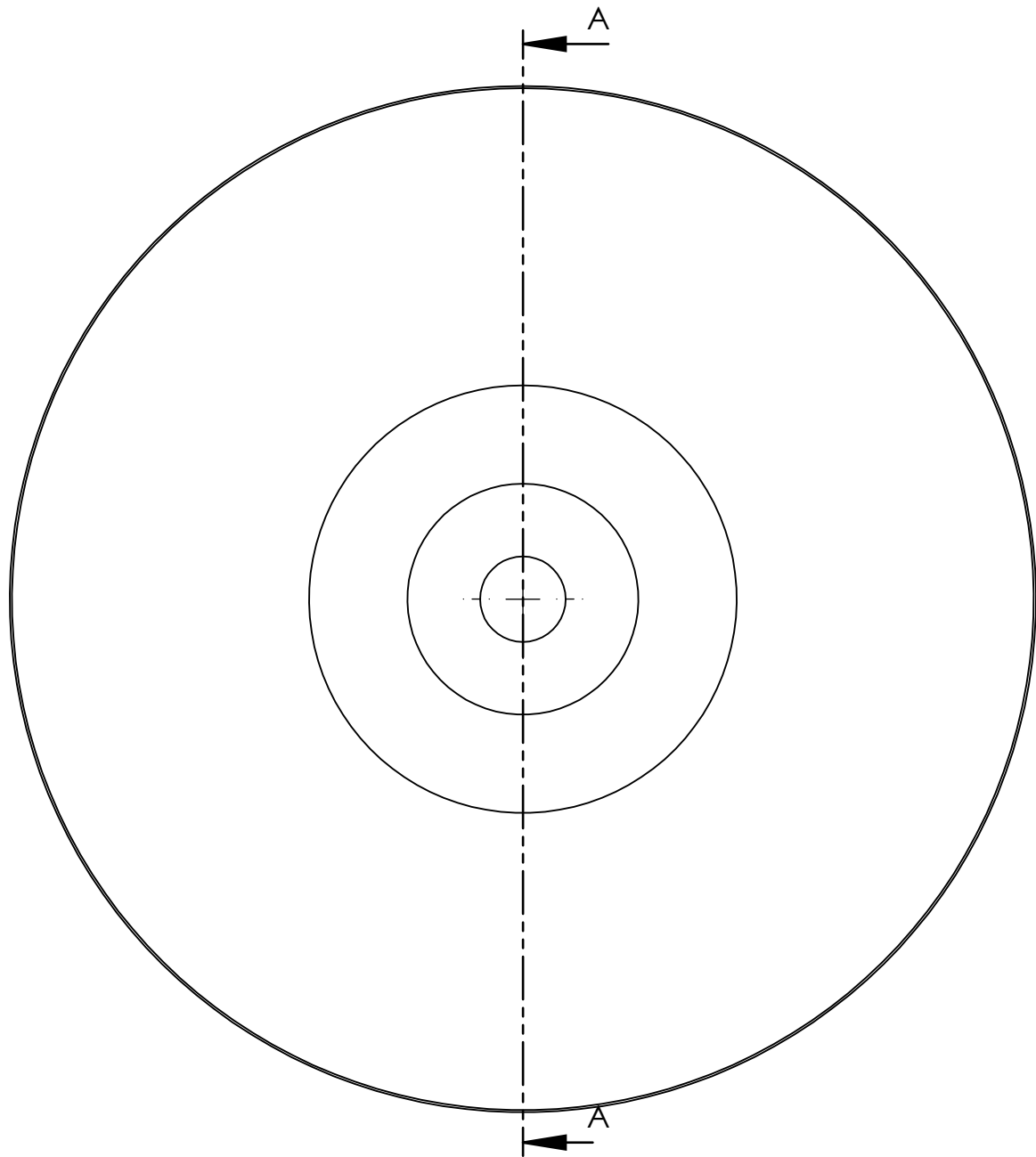
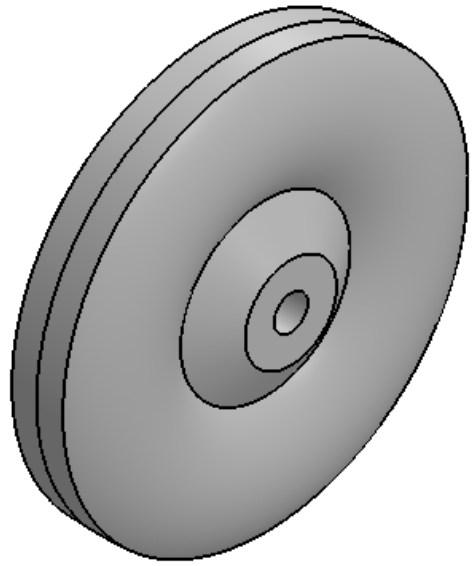


REV NO.	Revision Note	Date	Signature	Checked



SECTION A-A
SCALE 1 : 1

P&H Casters	Scale 1:1	Volume (mm ³)	Drawn By: Ashley	Date 1/31/20
Description 6" x 1 3/8" White Retort			P&H Approval	
Part Number 6-121C-W	Revision REV A	Sheet 01	Date	