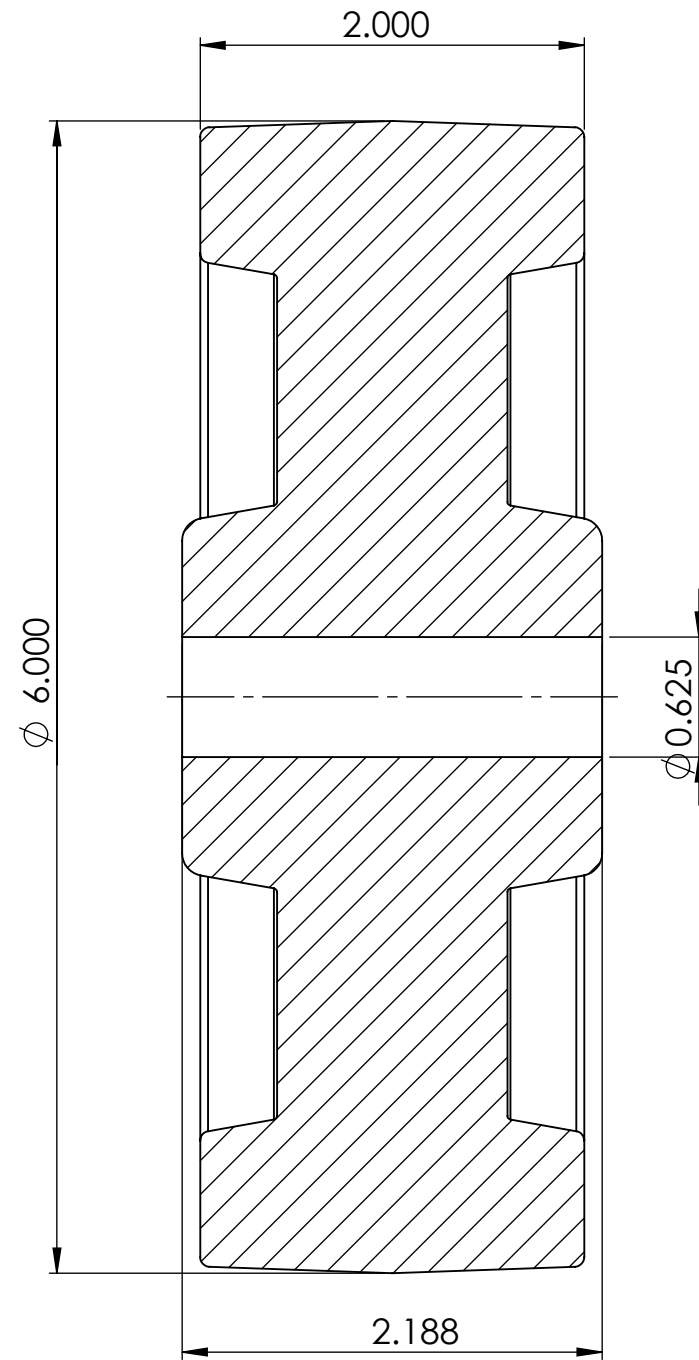
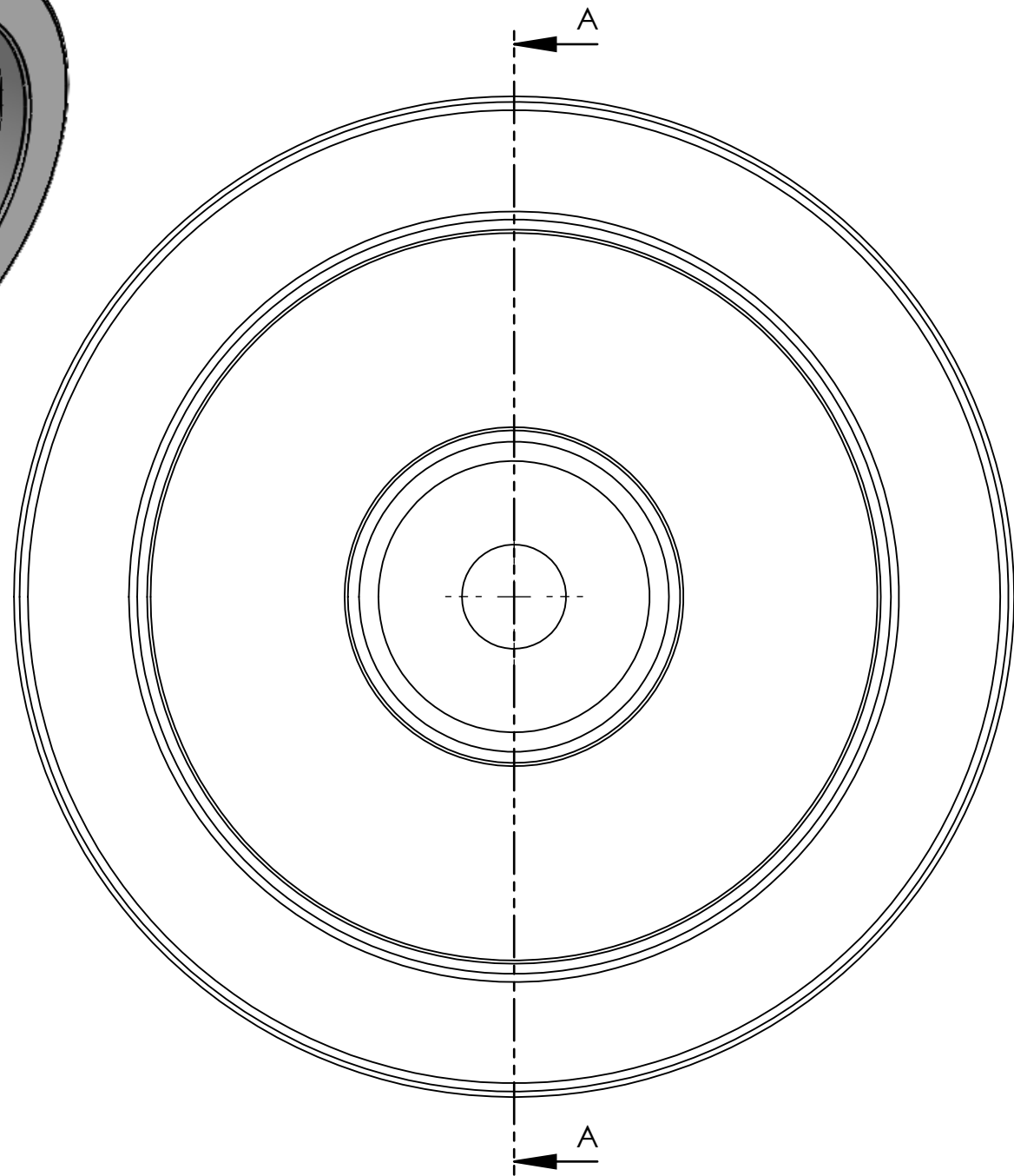
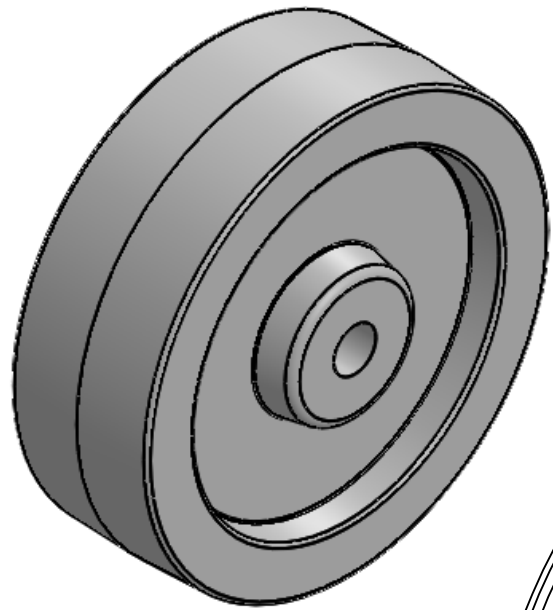


| REV NO. | Revision Note | Date | Signature | Checked |
|---------|---------------|------|-----------|---------|
| | | | | |



SECTION A-A
SCALE 1 : 1

| | | | | |
|--|-------------------|---------------------------|---------------------|-----------------|
| P&H Casters | Scale 1:1 | Volume (mm ³) | Drawn By: Ashley | Date 1/24/20 |
| Description 6" x 2" White Polypropylene | | P&H Approval | | |
| Part Number 62-11D-W | Revision REV A | Sheet 01 | Date | |