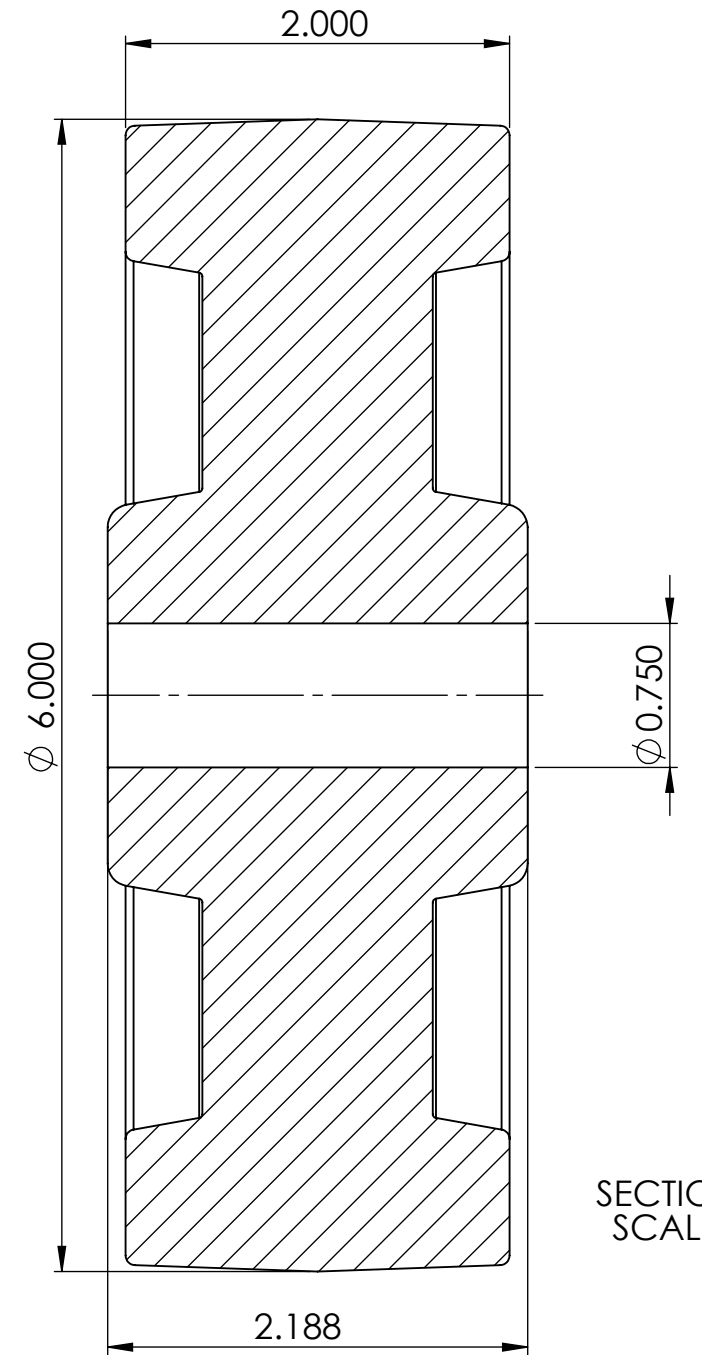
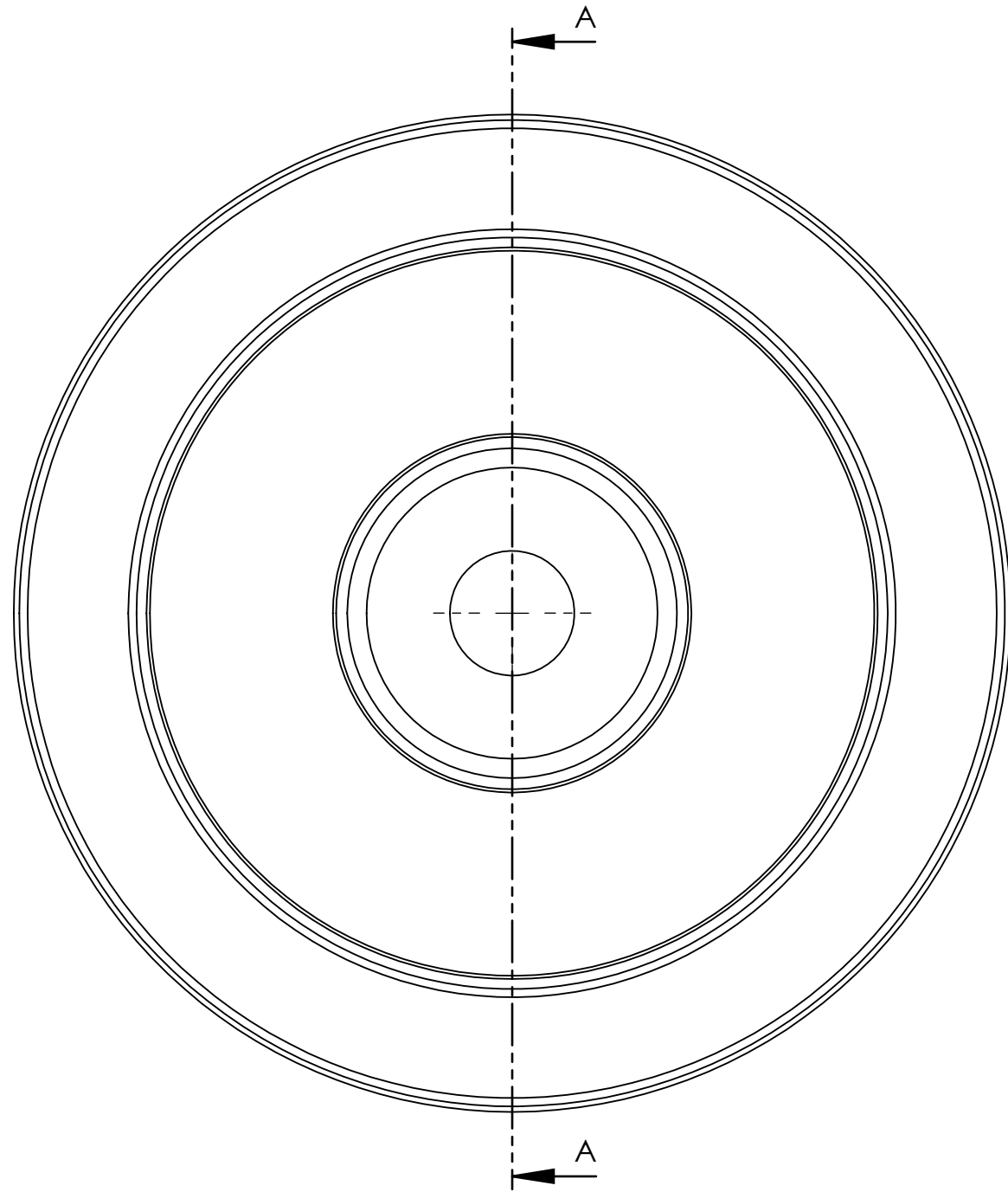
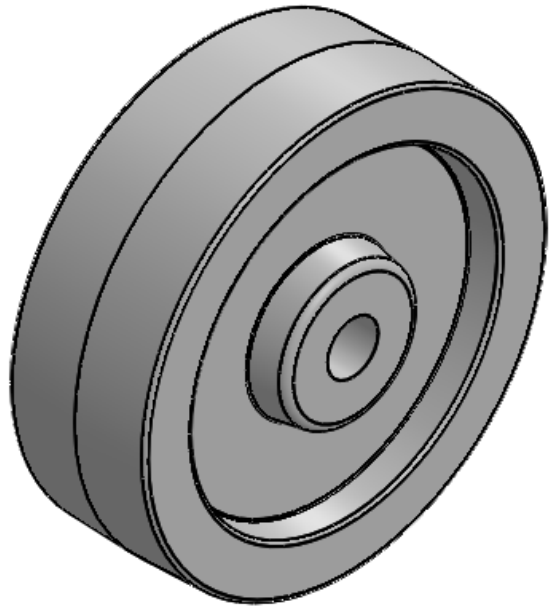


| REV NO. | Revision Note | Date | Signature | Checked |
|---------|---------------|------|-----------|---------|
| | | | | |



| | | | | |
|--|-------------------|---------------------------|---------------------|-----------------|
| P&H Casters | Scale 1:1 | Volume (mm ³) | Drawn By: Ashley | Date 1/30/20 |
| Description 6" X 2" White Retort | | | P&H Approval | |
| Part Number 62-121E-W | Revision REV A | Sheet 01 | Date | |

