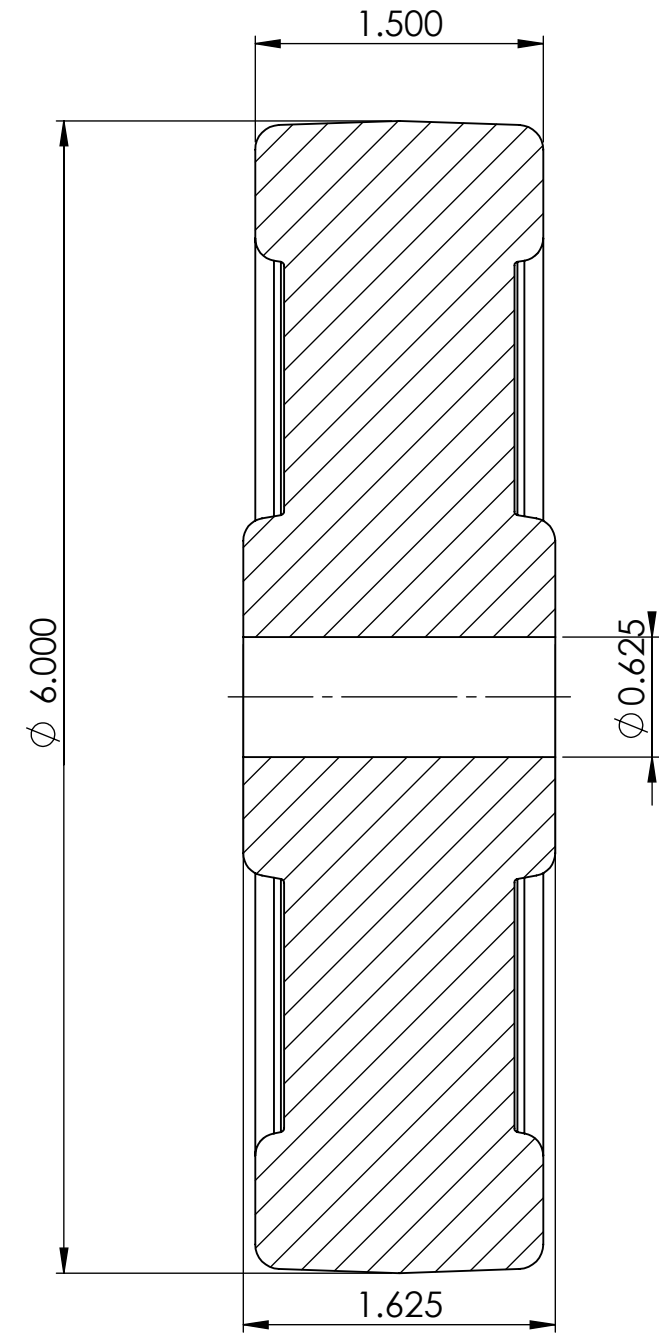
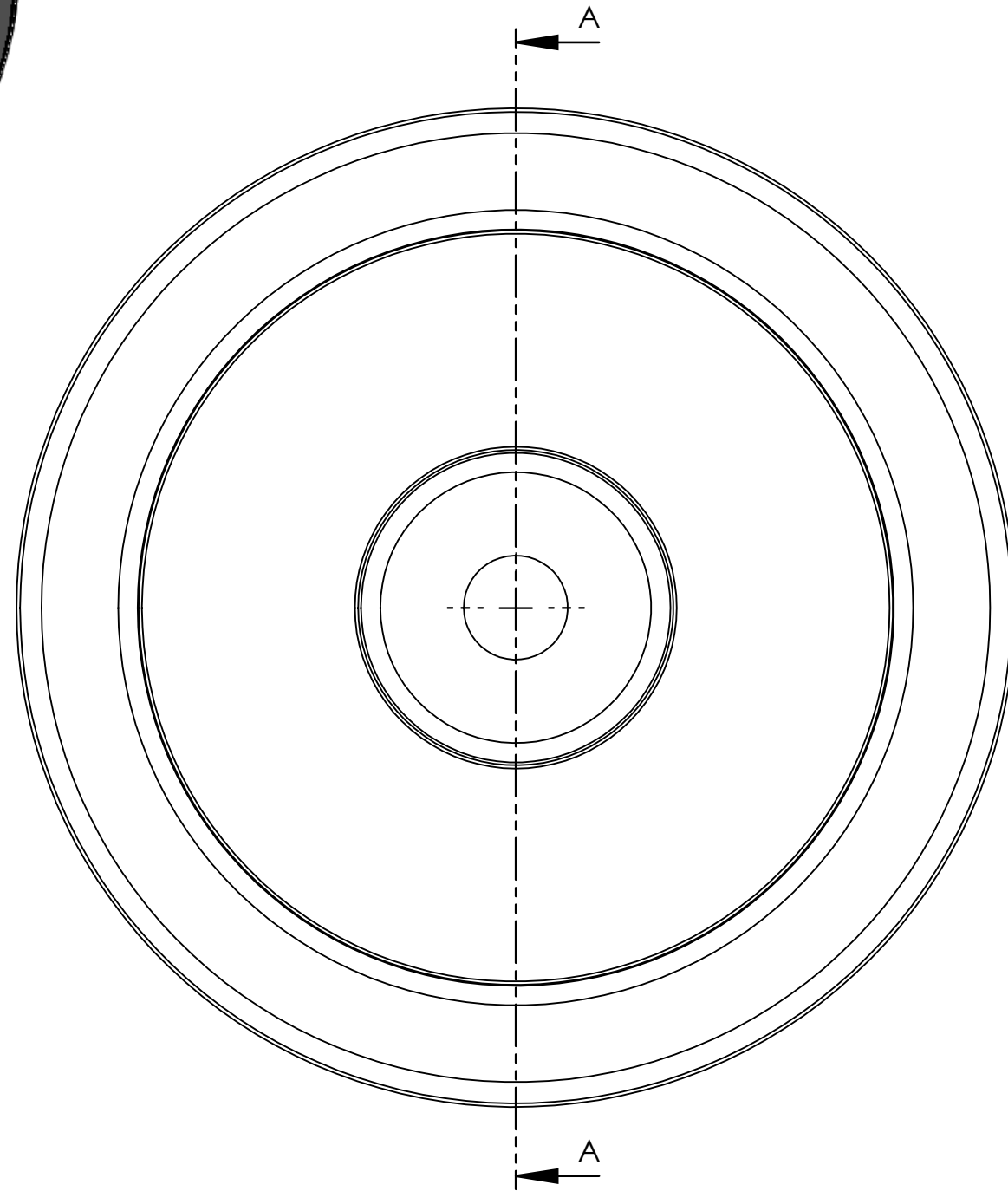
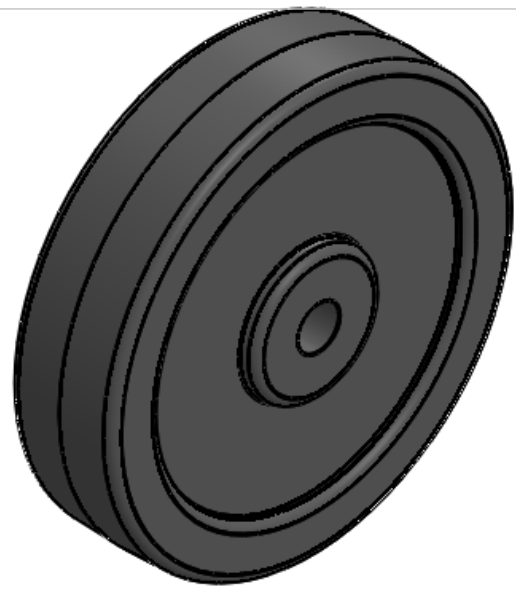


REV NO.	Revision Note	Date	Signature	Checked



SECTION A-A
SCALE 1 : 1

P&H Casters

Scale
1:1

Volume (mm³)

Drawn By:
Ashley

Date
1/23/20

Description
6" X 1 1/2" Black Polypropylene

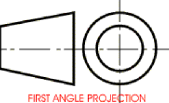
P&H Approval

Part Number
65-11D-B

Revision
Rev A

Sheet
01

Date



FIRST ANGLE PROJECTION