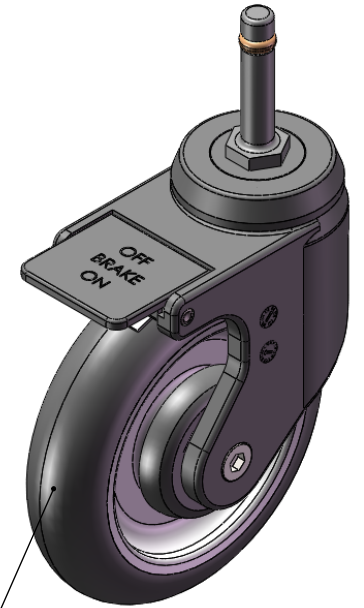
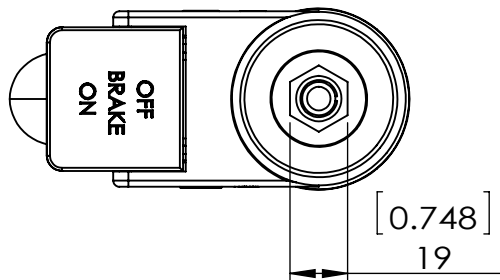


5/16-18 UNC



Durometer: Shore A 75 (+/-5)



Dimensions in mm [inch]

P&H Casters		Scale 1:2.5	Volume (mm ³)	Drawn By: Hua	Date 2020/5/9
Description CASTER				Reviewed Andy	 <small>FIRST ANGLE PROJECTION</small>
Part Number P25AI54GGDNT REV A	Revision	Sheet 01	Date 2020/5/9		