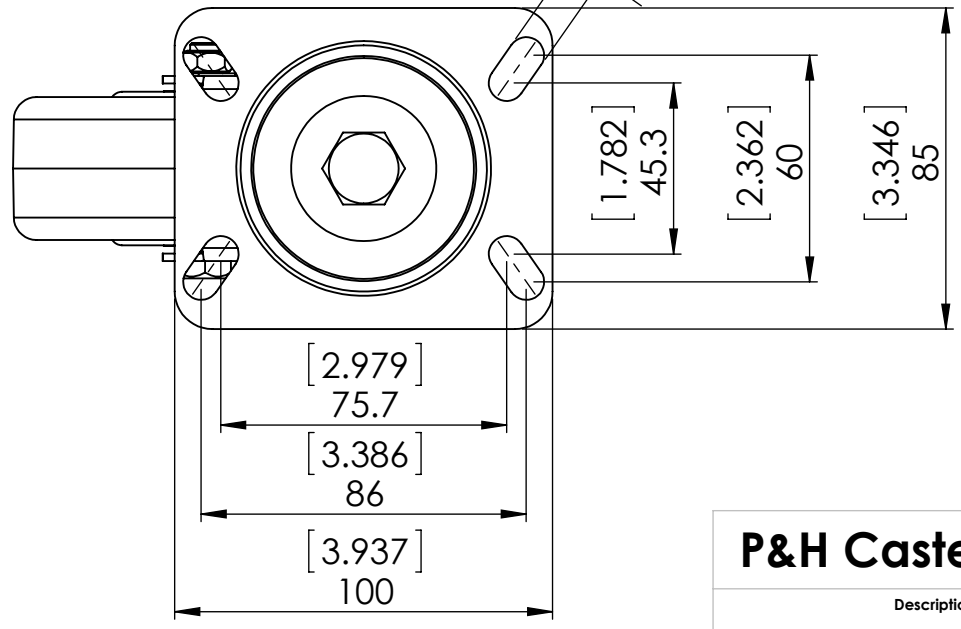
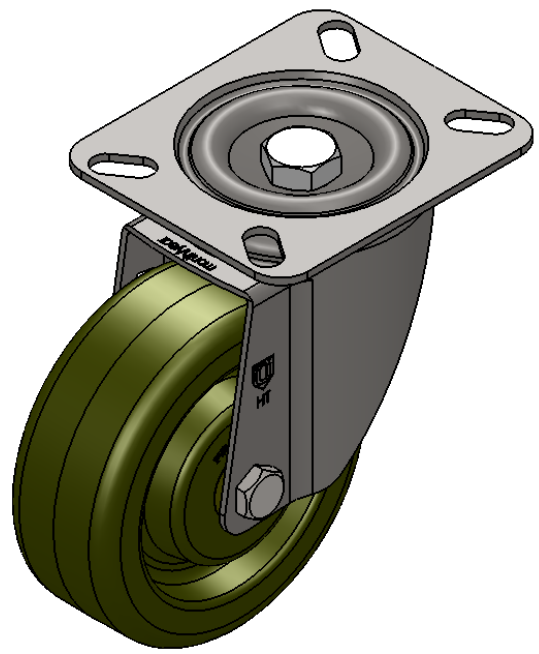
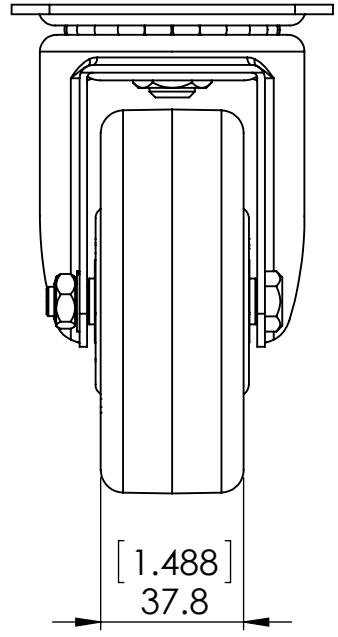
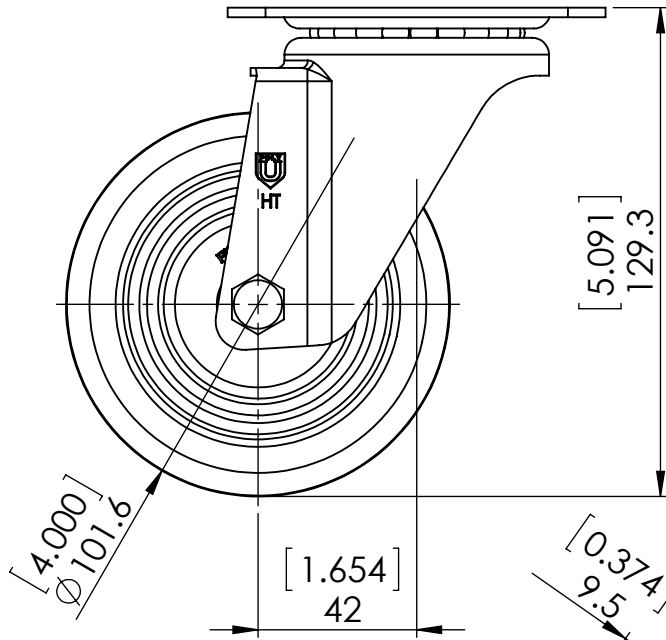


REV NO.	Revision Note	Date	Signature



Dimensions in mm [inch]

<b>P&amp;H Casters</b>		Scale <b>1:2</b>	Volume ( mm ^ 3 )	Drawn By: Hua	Date 1/4/2018
Description Caster ( CAS507-SP )				P&H Approval	
Part Number T20P2431NGF	Revision REV A	Sheet <b>01</b>	Date		