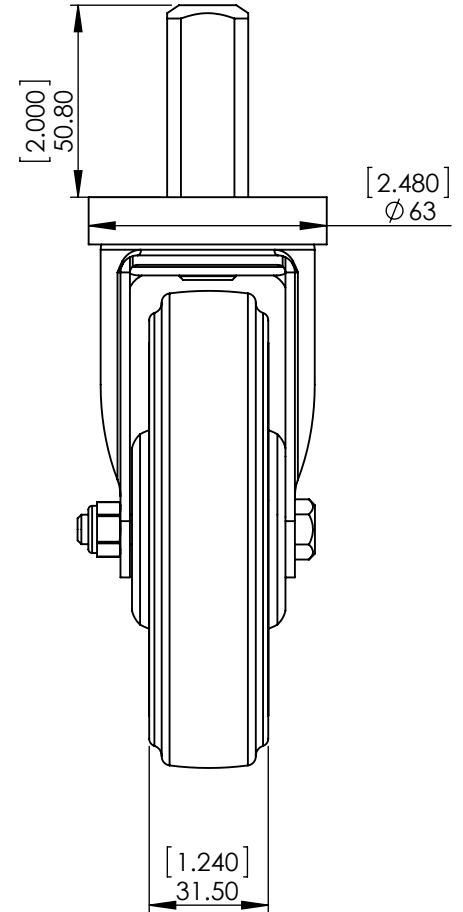
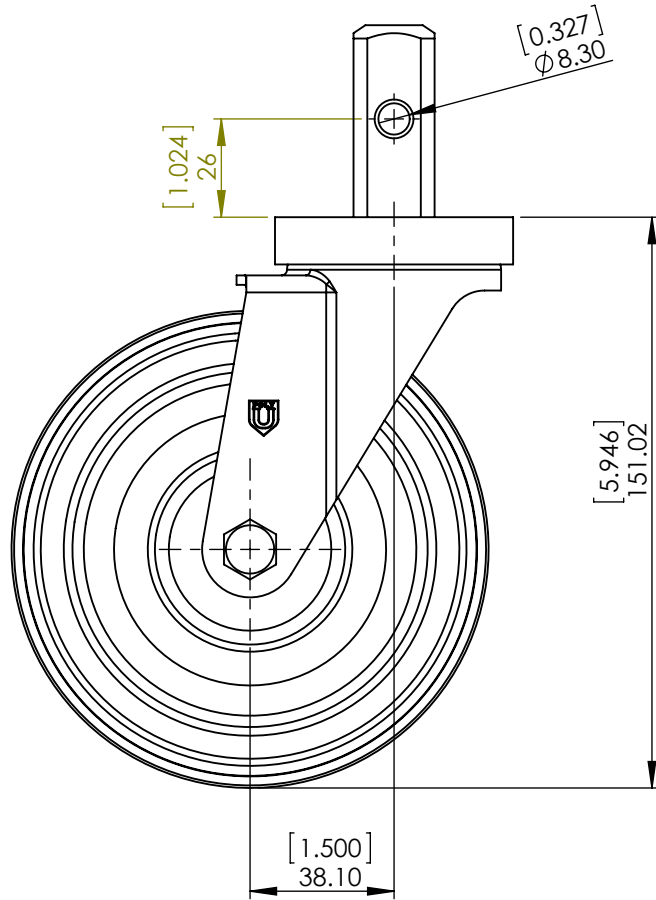
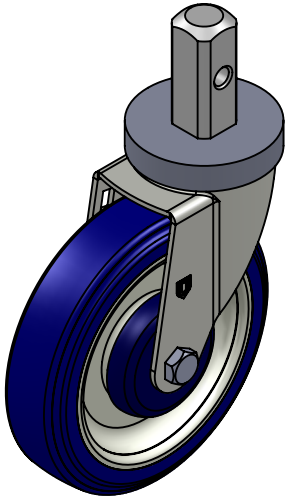


REV NO.	Revision Note	Date	Signature	Checked



<b>P&amp;H Casters</b>		Scale	<b>1:1</b>	Volume ( mm ^ 3 )	Drawn By:	Date
Description		CASTER			P&H Approval	<b>Bob</b> 04/07/2015
Part Number	Revision	Sheet	<b>01</b>	Date	 <small>FIRST ANGLE PROJECTION</small>	
<b>T20S254CL7T</b>	<b>REV A</b>					

THE INFORMATION CONTAINED IN THIS DRAWING IS CONFIDENTIAL AND SOLE PROPERTY OF P&H CASTERS CO. ANY REPRODUCTION IN PART OR AS A WHOLE WITHOUT THE WRITTEN PERMISSION OF P&H CASTERS IS PROHIBITED.