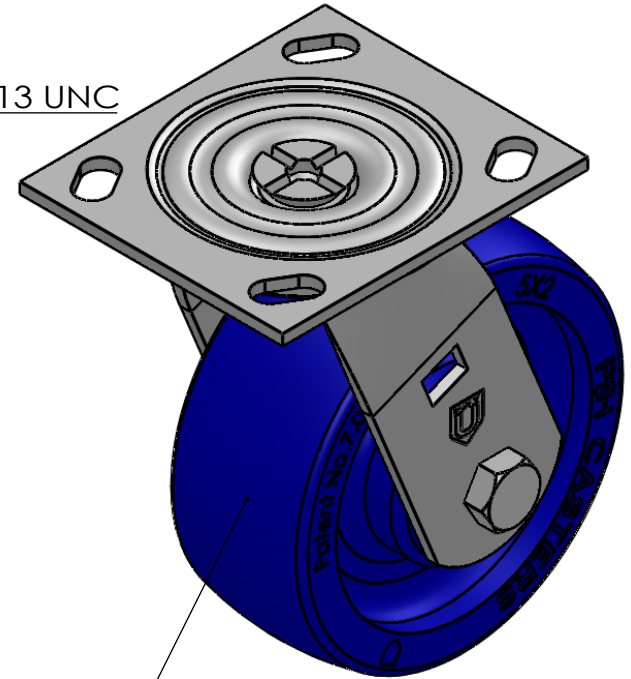
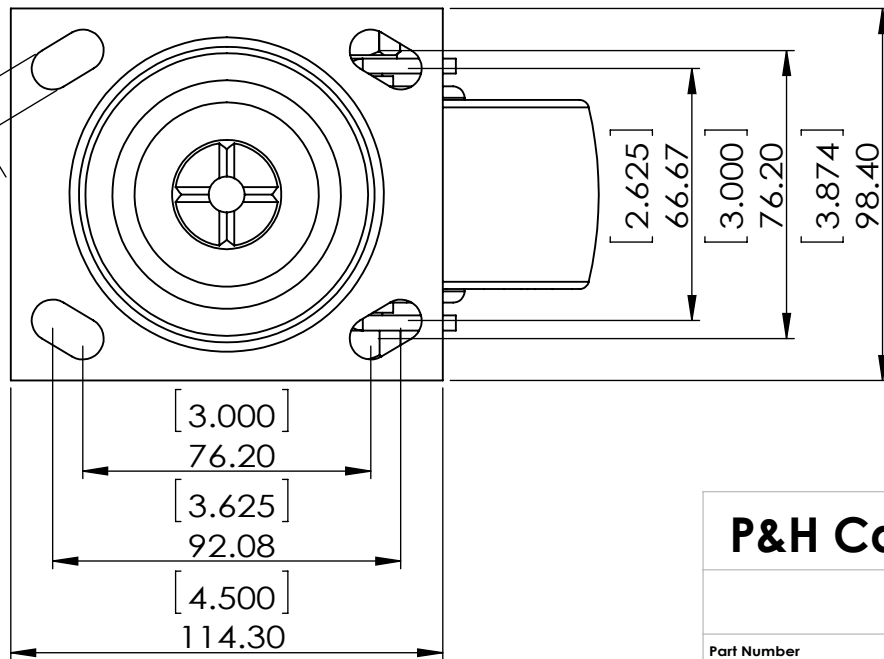


1/2-13 UNC



Durometer: Shore D 60 (+/-5)

[0.438]
11.12



Dimensions in mm [inch]

P&H Casters		Scale	1:2	Volume (mm ^ 3)	Drawn By:	Date
Description		CASTER		Reviewed	Hua	2019/9/24
Part Number	Revision	Sheet	01	Date	Andy	2019/9/24
T40P352EUPMS3 REV A						 FIRST ANGLE PROJECTION