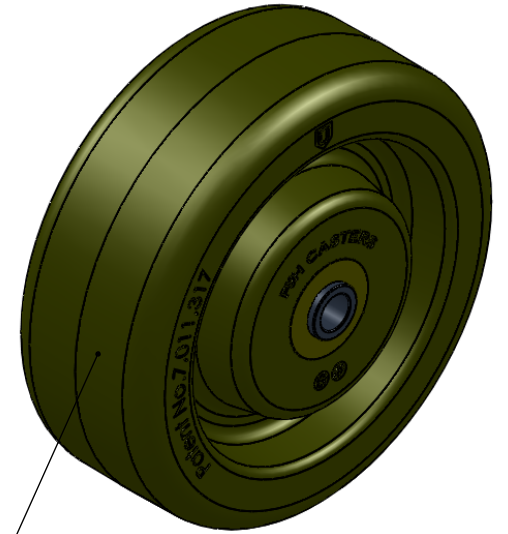
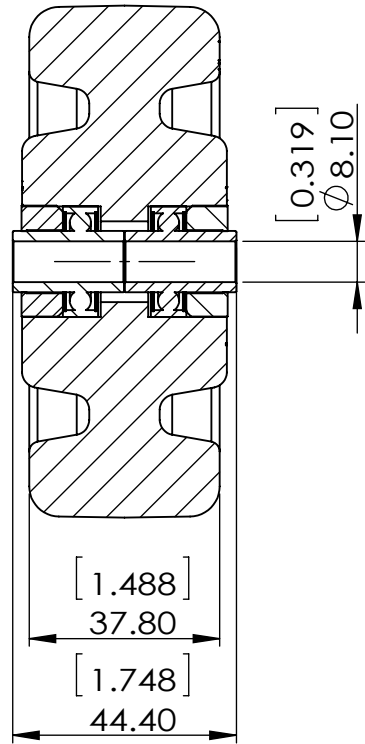
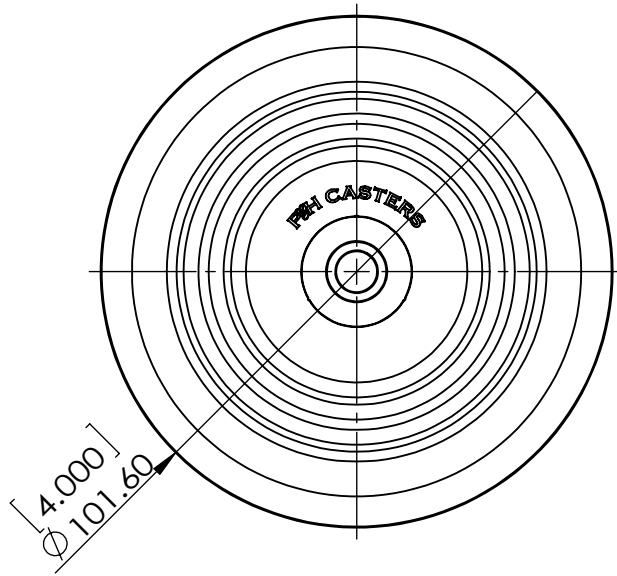


REV NO.	Revision Note	Date	Signature



Durometer: Shore D 85 (+/-5)

Dimensions in mm [ inch ]

<b>P&amp;H Casters</b>		Scale <b>1:1</b>	Volume ( mm ^ 3 )	Drawn By: <b>Hua</b>	Date <b>2017/9/11</b>
Description <b>WHEEL</b>				P&H Approval	
Part Number <b>W12043NG</b>	Revision <b>REV A</b>	Sheet <b>01</b>	Date		

