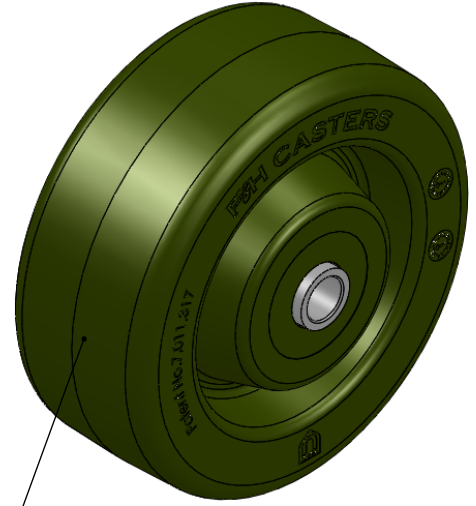
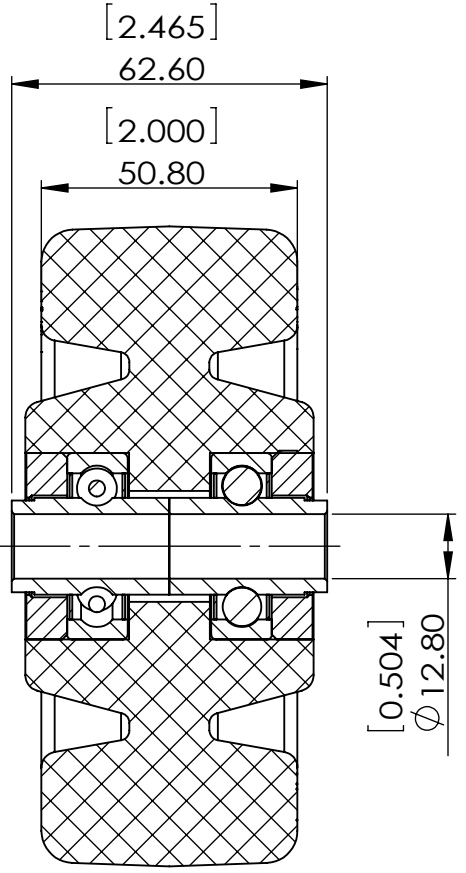
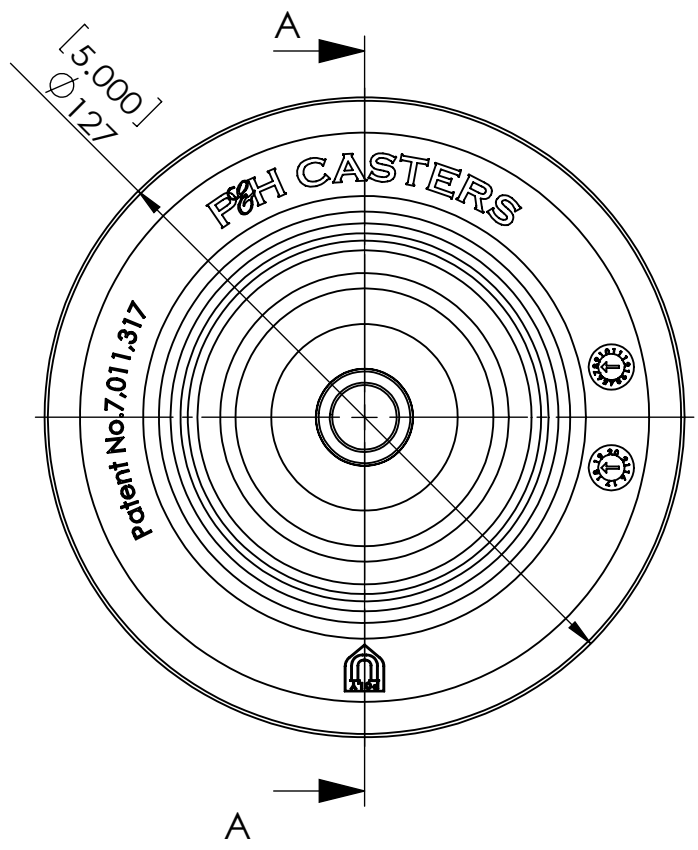


REV NO.	Revision Note	Signature	Date	Checked	Date



Durometer: Shore D 85 (+/-5)

Dimensions in mm [ inch ]

<b>P&amp;H Casters</b>		Scale	<b>1:5</b>	Volume ( mm <sup>3</sup> )	Drawn By:	Date
Description		WHEEL		Hua		2019/9/24
Part Number	Revision	Sheet	<b>01</b>	Date	Andy	 FIRST ANGLE PROJECTION
W14052NPA	REV A			2019/9/24		