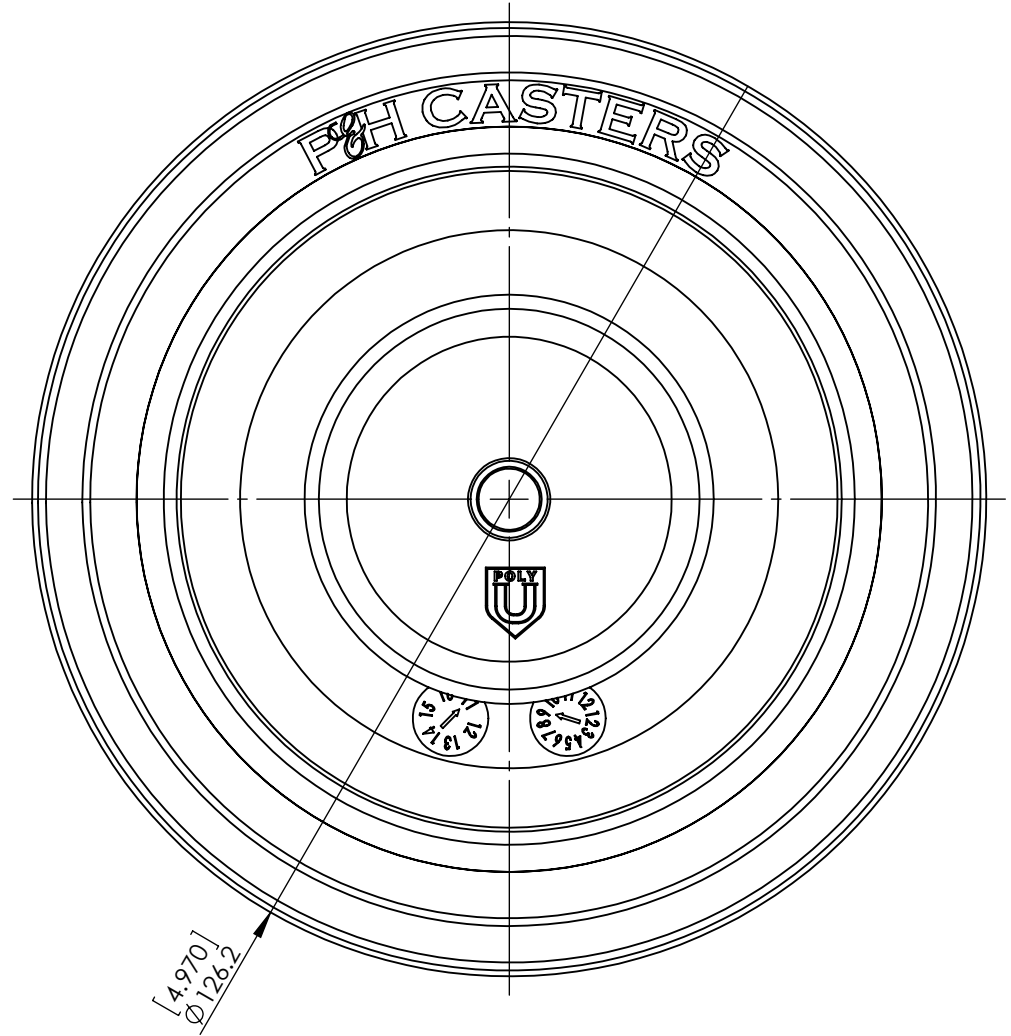
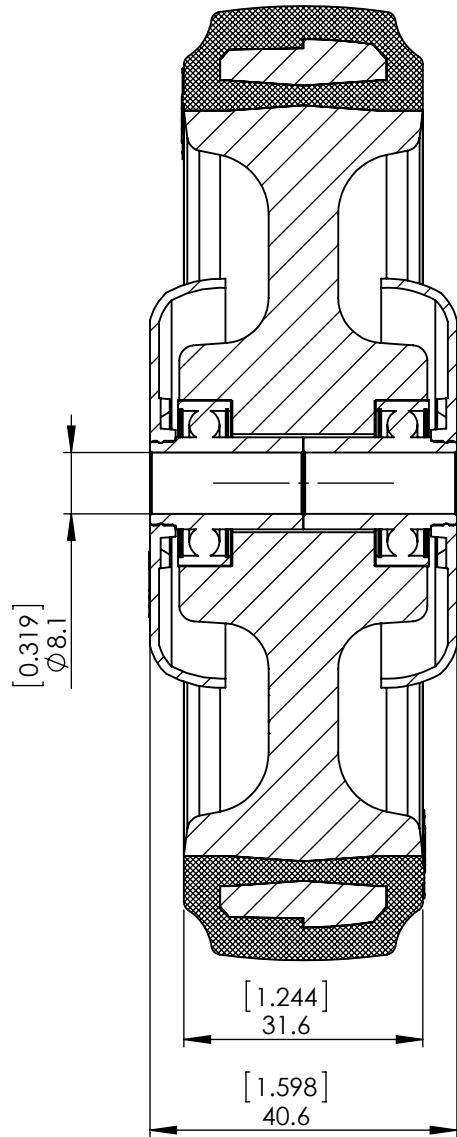


REV NO.	Revision Note	Date	Signature



Durometer: Shore D 46 (+/-5)

Dimensions in mm [inch]

P&H Casters		Scale	1:1	Volume (mm ³)	Drawn By:	Date
Description		WHEEL		Hua		9/25/2017
Part Number	Revision	Sheet	01	P&H Approval		
WC2054LD REV A		Date				