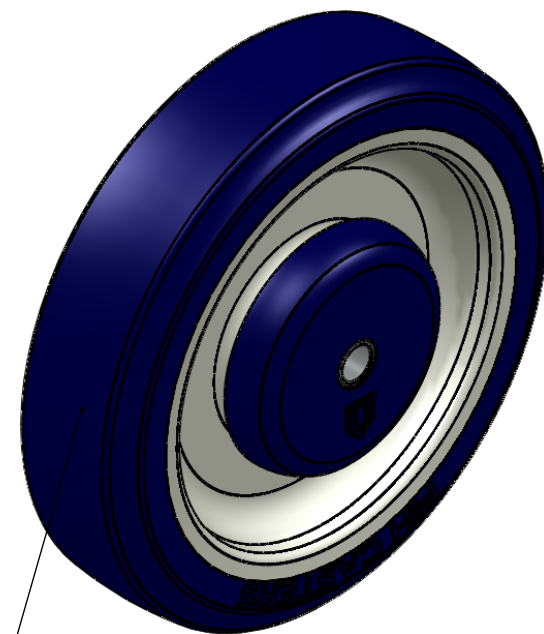
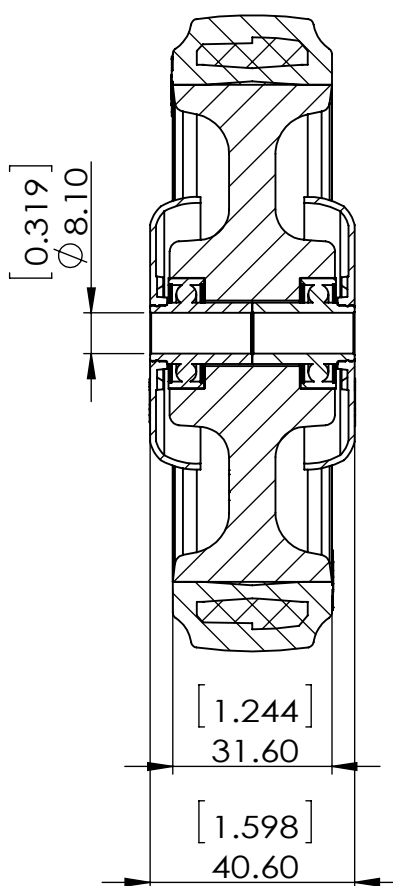
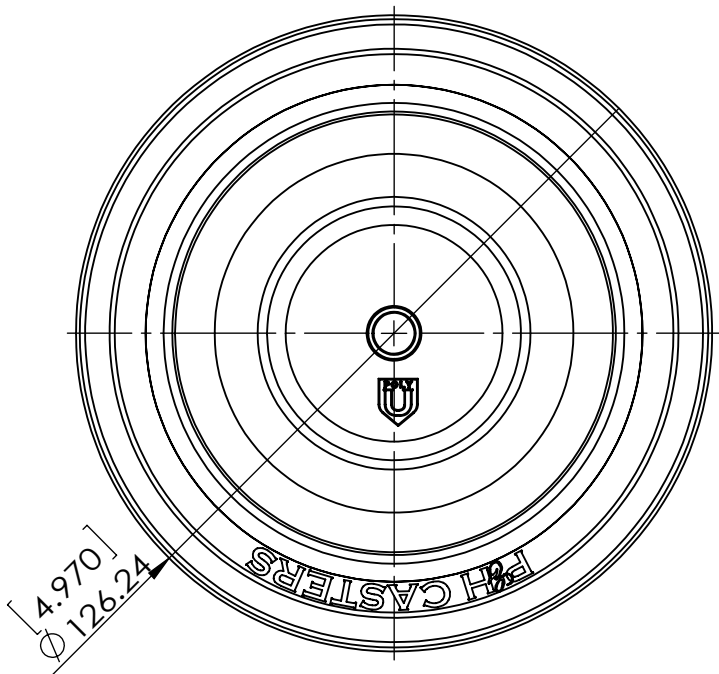


| REV NO. | Revision Note | Signature | Date | Checked | Date |
|---------|---------------|-----------|------|---------|------|
|         |               |           |      |         |      |



Durometer: Shore D 46 (+/-5)

Dimensions in mm [ inch ]

|                        |          |       |              |                            |           |   |
|------------------------|----------|-------|--------------|----------------------------|-----------|---|
| <b>P&amp;H Casters</b> |          | Scale | <b>1:1.5</b> | Volume ( mm <sup>3</sup> ) | Drawn By: | Date  |
| Description            |          | WHEEL |              | Reviewed                   |           | <br>FIRST ANGLE PROJECTION |
| Part Number            | Revision | Sheet | <b>01</b>    | Date                       | Andy      |   |
| WC2054LDA REV A        |          |       |              | 2019/5/29                  |           |   |