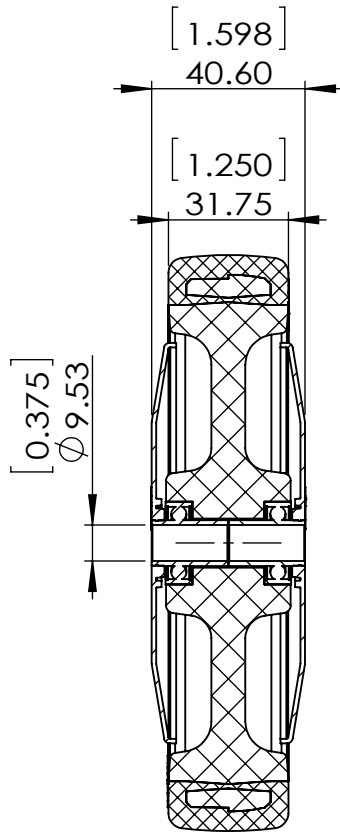
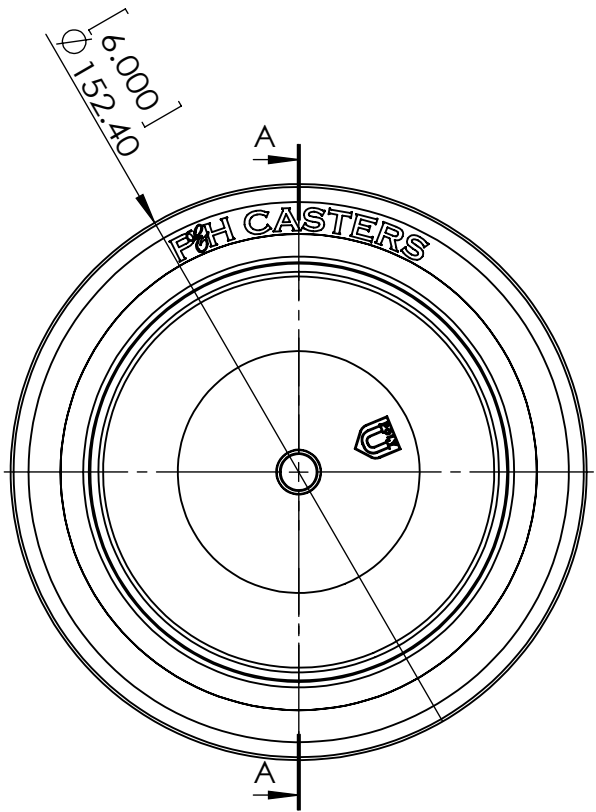


REV NO.	Revision Note	Date	Signature



剖面 A-A
比例 1 : 2



Durometer: Shore D 46 (+/-5)

Dimensions in mm [inch]

P&H Casters		Scale 1:1	Volume (mm ³)	Drawn By: Hua	Date 2019/4/11
Description wheel				P&H Approval	
Part Number WC2664TK REV A	Revision	Sheet 01	Date	<p>FIRST ANGLE PROJECTION</p>	