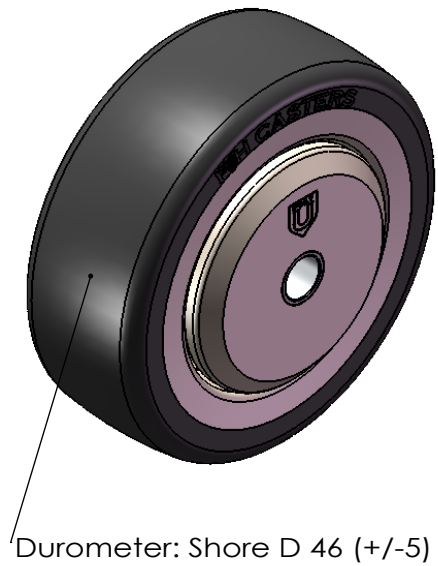
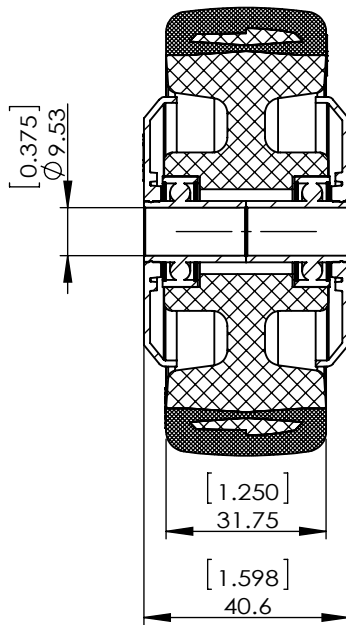
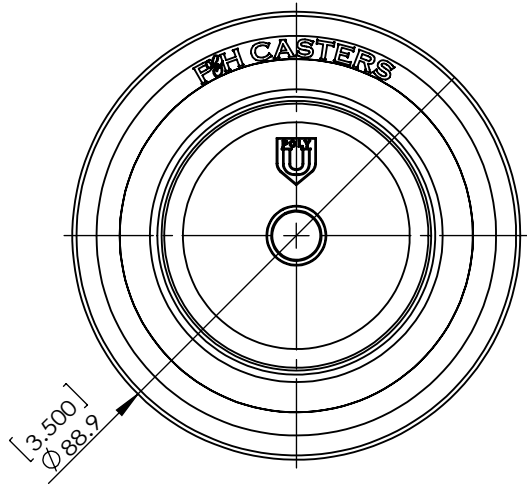


REV NO.	Revision Note	Signature	Date	Checked	Date



Dimensions in mm [inch]

P&H Casters		Scale 1:1.5	Volume (mm ³)	Drawn By: Hua	Date 2019/4/30
Description wheel				Reviewed Andy	 FIRST ANGLE PROJECTION
Part Number WC2674TK REV A	Revision	Sheet 01	Date 2019/4/30		