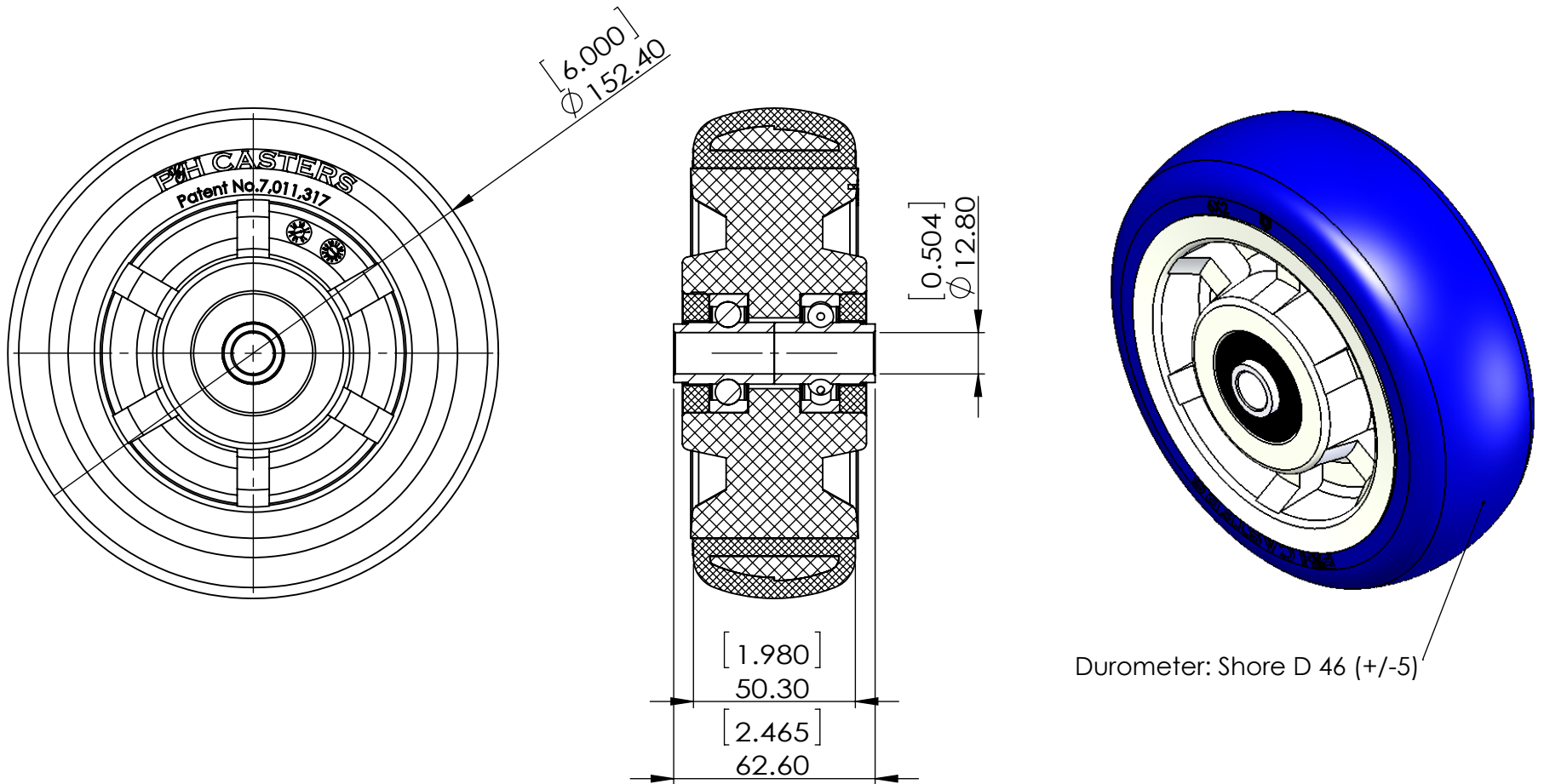


REV NO.	Revision Note	Date	Signature



Durometer: Shore D 46 (+/-5)

Dimensions in mm [inch]

P&H Casters	Scale 1:2	Volume (mm ³)	Drawn By: Hua	Date 2019/4/4
Description Wheel			P&H Approval	 <small>FIRST ANGLE PROJECTION</small>
Part Number WC4062LP REV A	Revision	Sheet 01	Date	