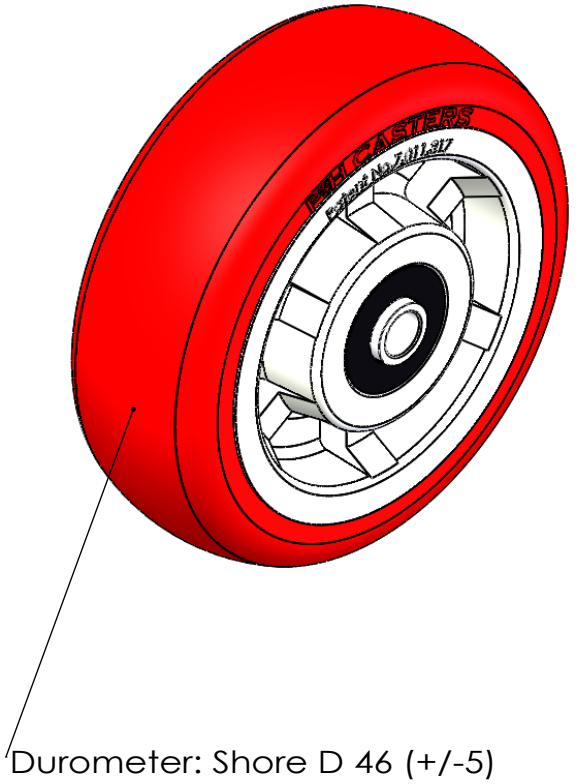
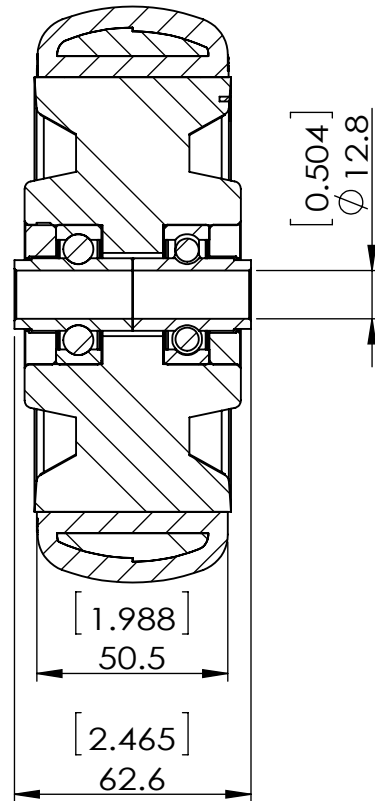
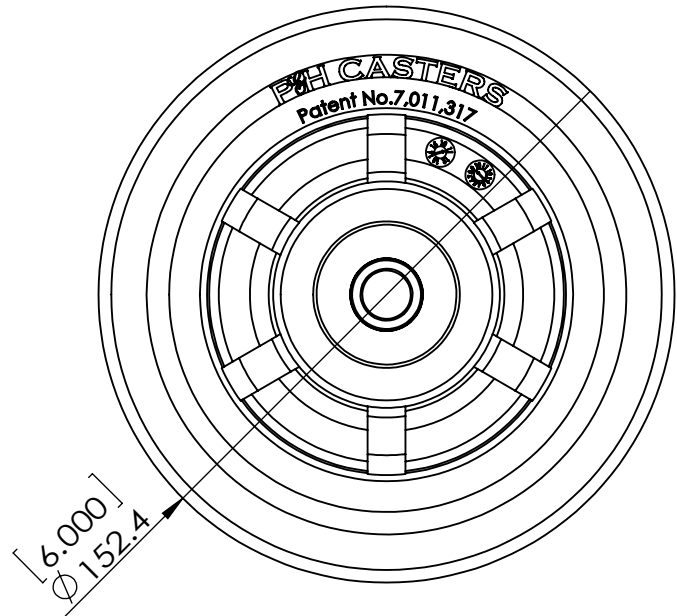


REV NO.	Revision Note	Signature	Date	Checked	Date



Dimensions in mm [ inch ]

<b>P&amp;H Casters</b>		Scale <b>1:2</b>	Volume ( mm ^ 3 )	Drawn By: Hua	Date 2019/4/4
Description Wheel				Reviewed Andy	 FIRST ANGLE PROJECTION
Part Number WC4062OP	Revision REV A	Sheet <b>01</b>	Date 2019/4/4		