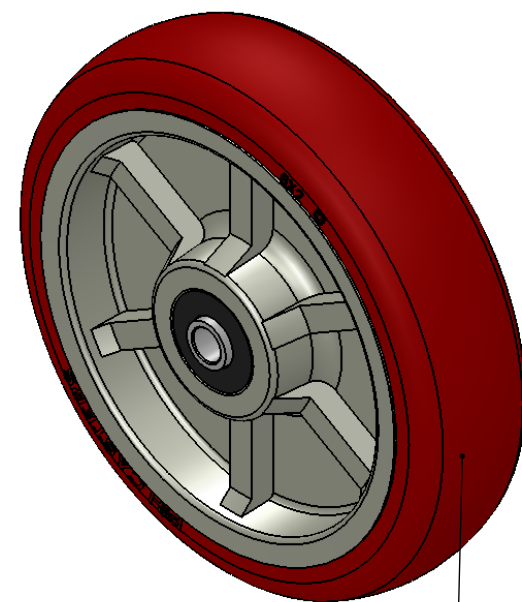
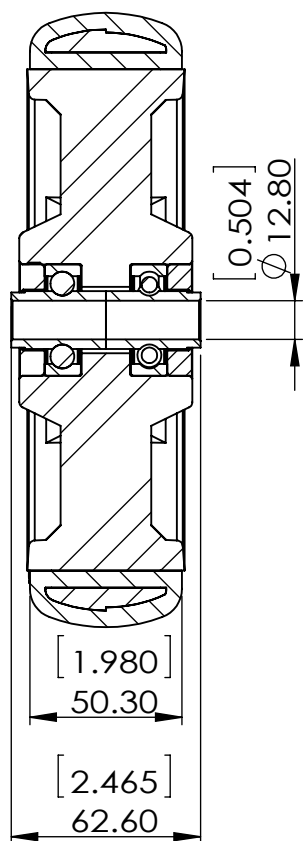
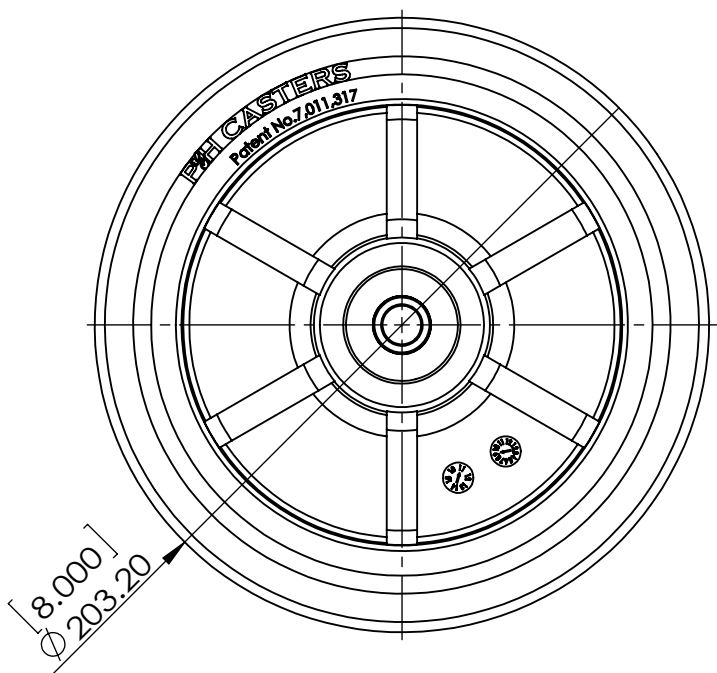
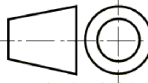


REV NO.	Revision Note	Date	Signature



Durometer: Shore D 46 (+/-5)

Dimensions in mm [inch]

P&H Casters	Scale 1:1	Volume (mm ³)	Drawn By: Hua	Date 2019/4/3
Description WHEEL			P&H Approval	
Part Number WC4082OP REV A	Revision	Sheet 01	Date	 FIRST ANGLE PROJECTION