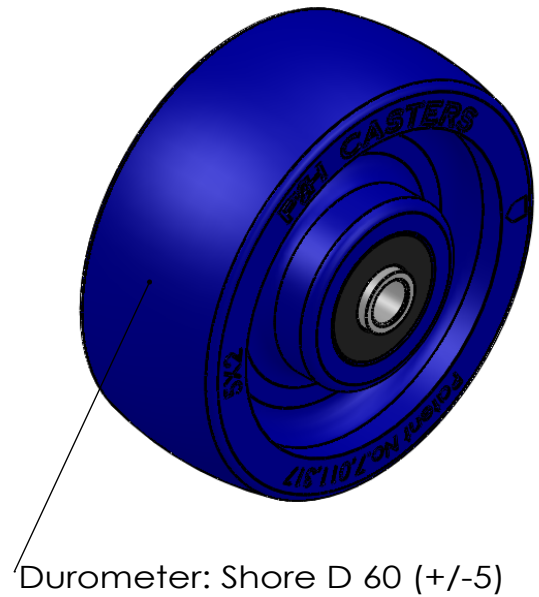


A-A



Dimensions in mm [inch]

P&H Casters		Scale 1:2	Volume (mm ³)	Drawn By: Hua	Date 2019/9/24
Description WHEEL				Reviewed Andy	<p>FIRST ANGLE PROJECTION</p>
Part Number WE4052UP REV A	Revision	Sheet 01	Date 2019/9/24		