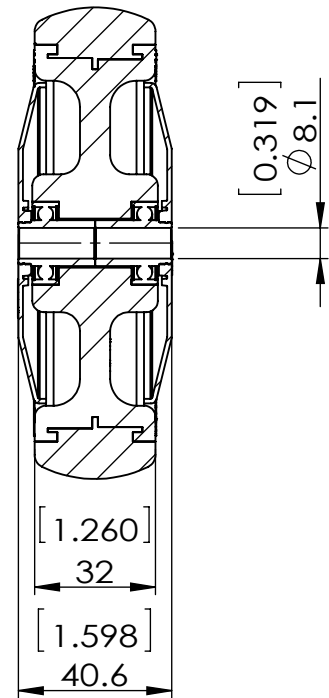
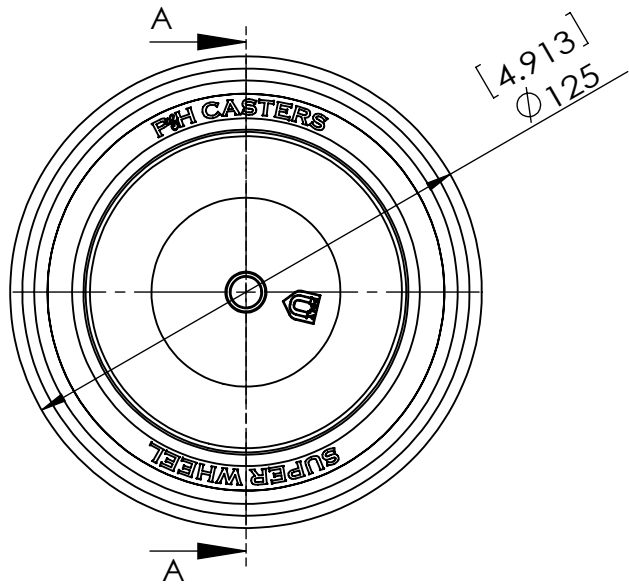


REV NO.	Revision Note	Signature	Date	Checked	Date



剖面 A-A

Tolerance unless otherwise specified	
Over- up to (mm)	Tolerance (mm)
0-10	±0.1
10-30	±0.2
30-120	±0.3
120-400	±0.5

P&H Casters		Scale	1:5	Volume (mm ^ 3)	Drawn By:	Date
Description		WHEEL		Hua		2018/8/31
Part Number	Revision	Sheet	Date	Reviewed		
WI3054GDWD	REV A	01	2018/8/31	Andy		

