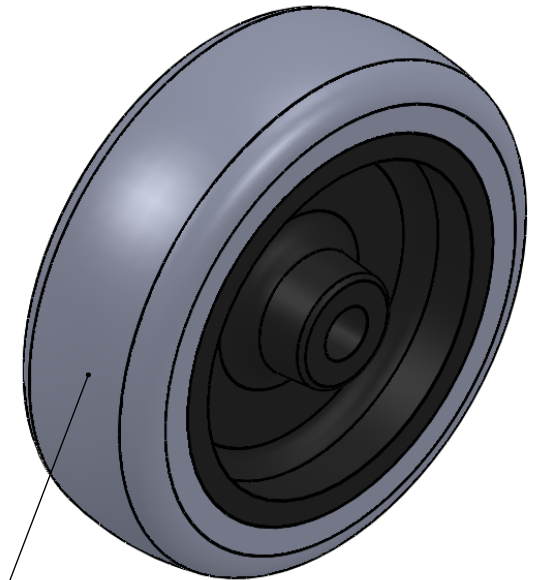


A-A



Durometer: Shore A 70 (+/-5)

Dimensions in mm [inch]

P&H Casters		Scale 1:1	Volume (mm ³)	Drawn By: Hua	Date 2019/10/23
Description WHEEL				Reviewed Andy	 <small>FIRST ANGLE PROJECTION</small>
Part Number WN1031EC	Revision REV B	Sheet 01	Date 2019/10/23		