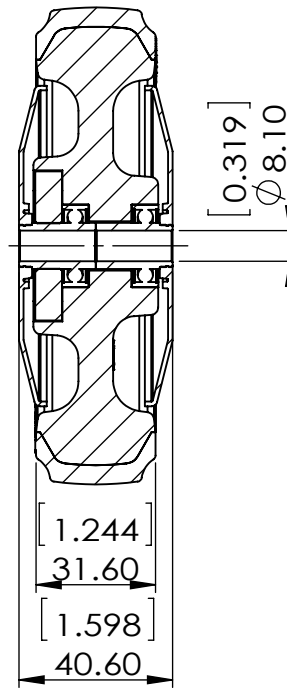
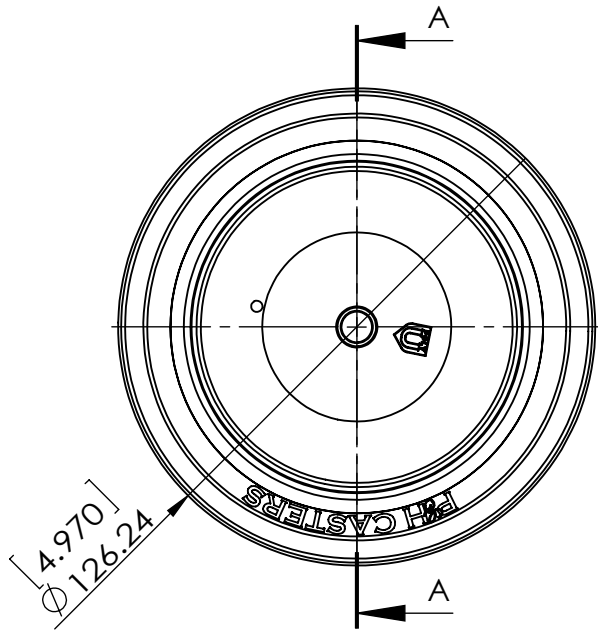


REV NO.	Revision Note	Date	Signature



A-A



Dimensions in mm [ inch ]

<b>P&amp;H Casters</b>		Scale <b>1:2</b>	Volume ( mm <sup>3</sup> )	Drawn By: <b>Ronny</b>	Date <b>2019/5/6</b>
Description <b>WHEEL</b>				P&H Approval	
Part Number <b>WN2054EF15 REV A</b>	Revision	Sheet <b>01</b>	Date	<p>FIRST ANGLE PROJECTION</p>	