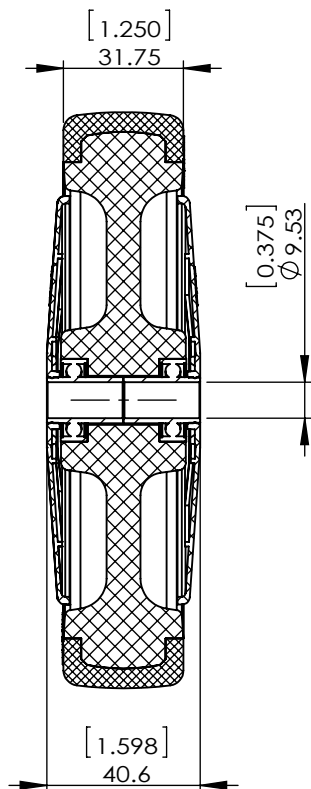
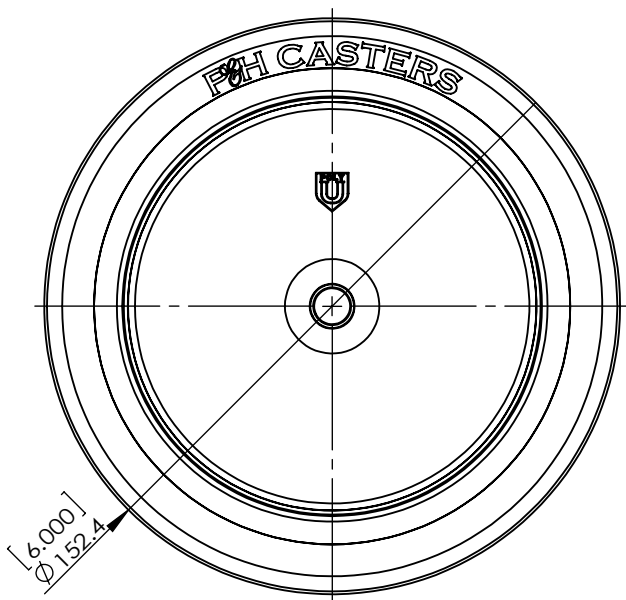


REV NO.	Revision Note	Signature	Date	Checked	Date



Durometer: Shore A 70 (+/-5)

Dimensions in mm [inch]

P&H Casters		Scale 1:2	Volume (mm ³)	Drawn By: Hua	Date 2019/4/10
Description WHEEL			Reviewed Andy		 FIRST ANGLE PROJECTION
Part Number WN2664EK	Revision REV B	Sheet 01	Date 2019/4/10		