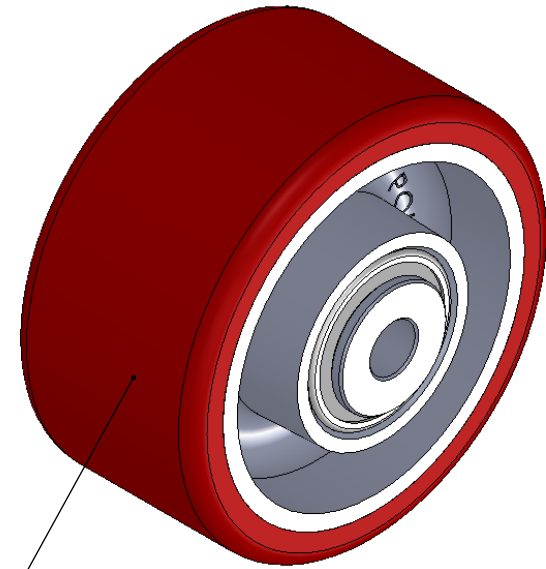
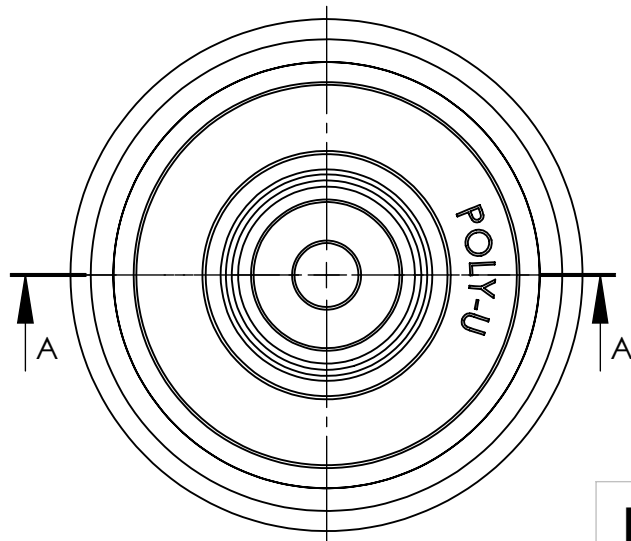


剖面 A-A



Durometer: Shore D 46 (+/-5)

Dimensions in mm [inch]

P&H Casters		Scale 1:1.5	Volume (mm ³)	Drawn By: Ronny	Date 2019/6/4
Description WHEEL				Reviewed By: Andy	<p>FIRST ANGLE PROJECTION</p>
Part Number WZ4042POY REV B	Revision	Sheet 01	Date 2019/6/4		