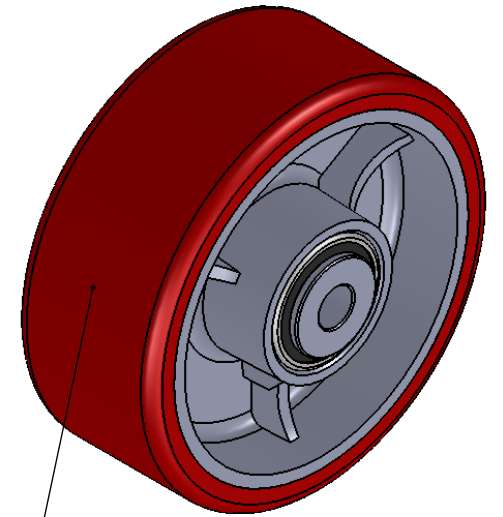


A-A



Durometer: Shore D 46 (+/-5)

Dimensions in mm [ inch ]

<b>P&amp;H Casters</b>		Scale <b>1:2</b>	Volume ( mm ^ 3 )	Drawn By: <b>Ronny</b>	Date <b>2019/9/24</b>
Description <b>WHEEL</b>				Reviewed By: <b>Andy</b>	 <small>FIRST ANGLE PROJECTION</small>
Part Number <b>WZ4052POY REV B</b>	Revision	Sheet <b>01</b>	Date <b>2019/9/24</b>		