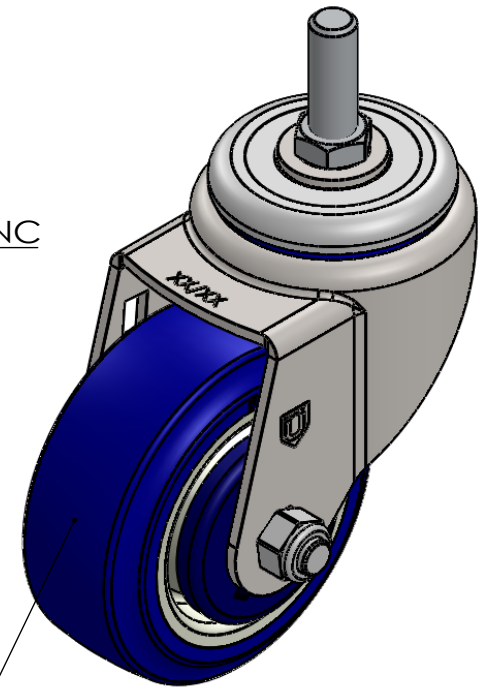
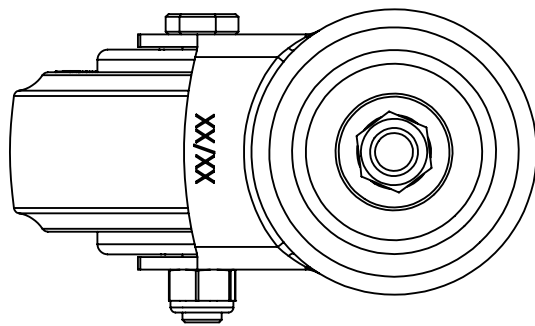


5/16-18 UNC



Durometer: Shore D 46 (+/-5)



Dimensions in mm [inch]

P&H Casters		Scale 1:1.5	Volume (mm ³)	Drawn By: Hua	Date 2019/10/22
Description CASTER				Reviewed Andy	<p>FIRST ANGLE PROJECTION</p>
Part Number Z20AK34CLDE REV B	Revision	Sheet 01	Date 2019/10/22		