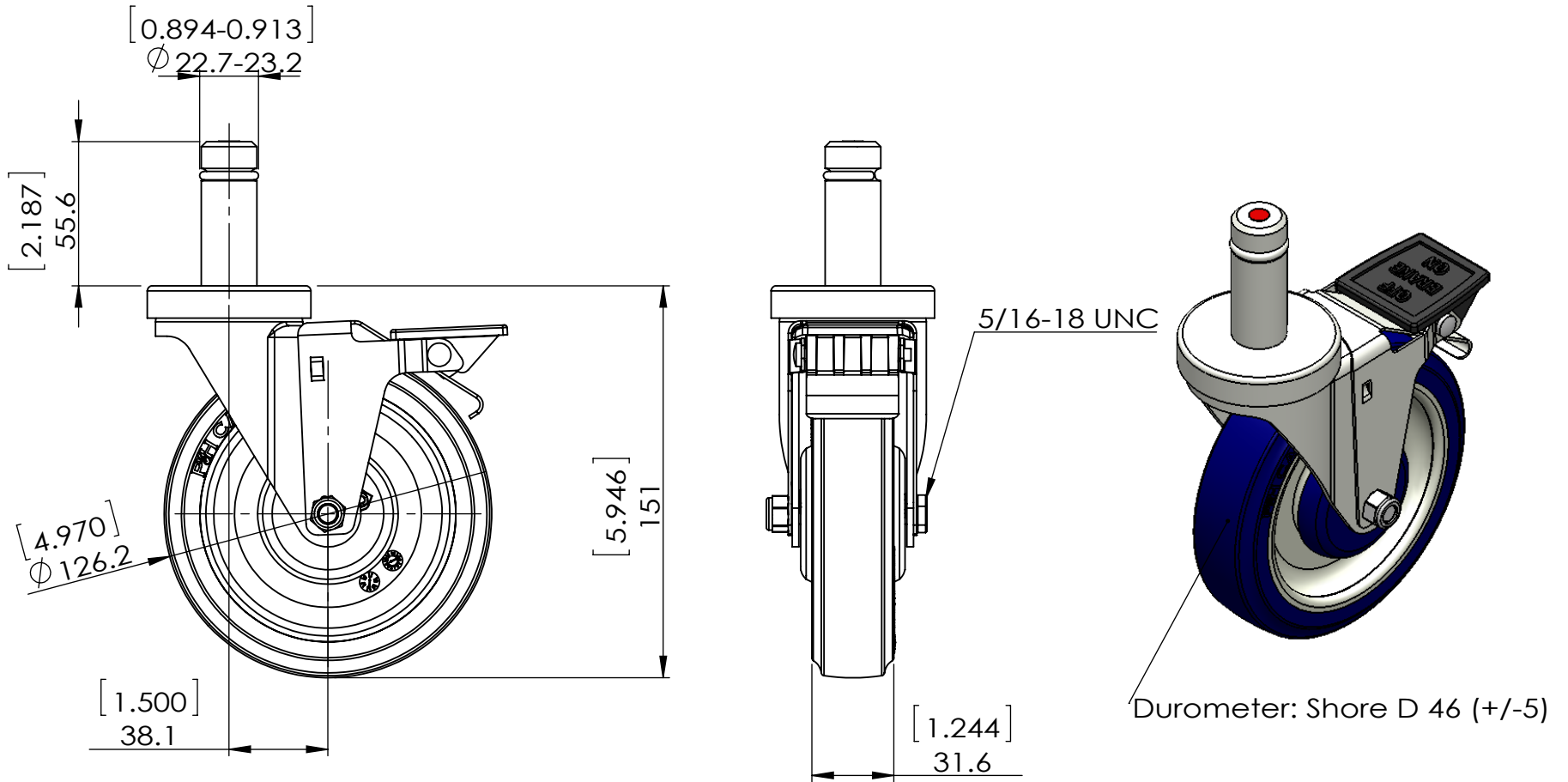


REV NO.	Revision Note	Date	Signature



Dimensions in mm [ inch ]

<b>P&amp;H Casters</b>		Scale <b>1:2</b>	Volume ( mm <sup>3</sup> )	Drawn By: <b>Ronny</b>	Date <b>7/4/2018</b>
Description <b>CASTER</b>				P&H Approval	
Part Number <b>Z20F054CLDET REV D</b>	Revision	Sheet <b>01</b>	Date	 <small>FIRST ANGLE PROJECTION</small>	