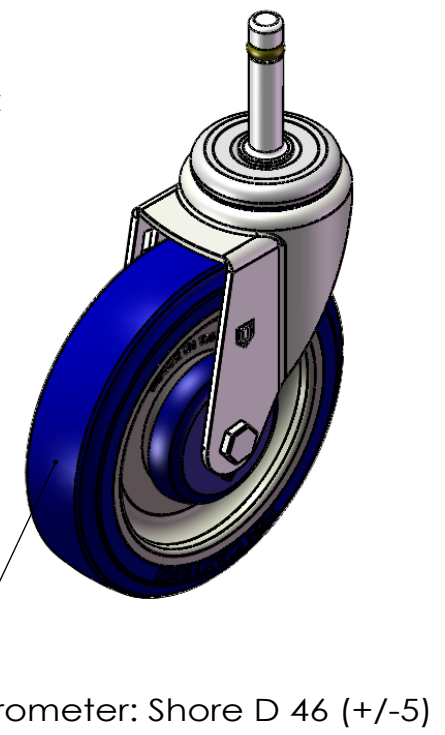
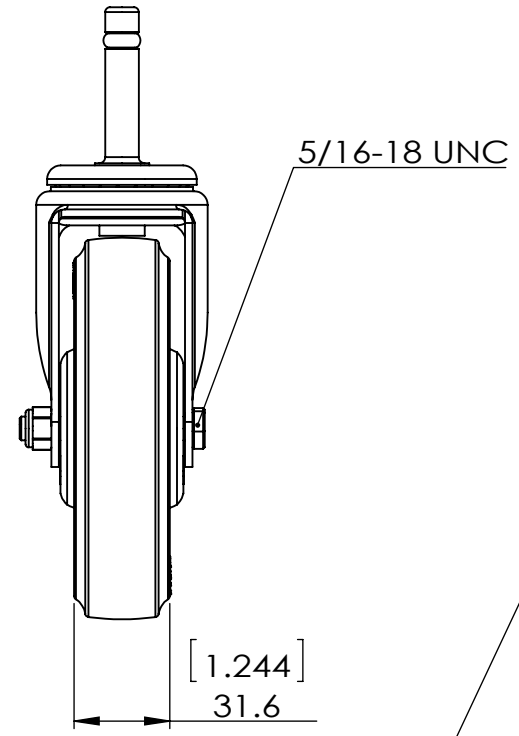
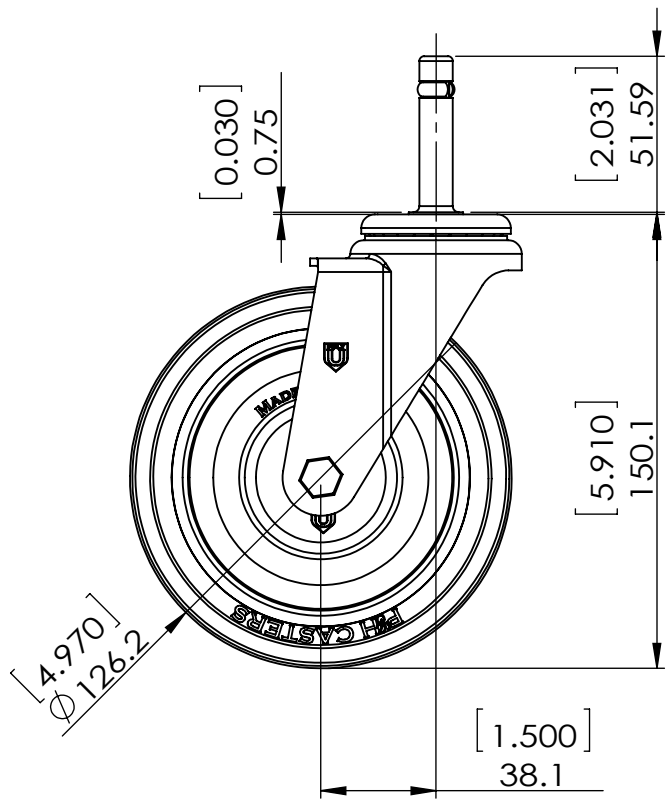


REV NO.	Revision Note	Signature	Date	Checked	Date



Dimensions in mm [inch]

Tolerance unless otherwise specified	
Over- up to (mm)	Tolerance (mm)
0-10	±0.1
10-30	±0.2
30-120	±0.3
120-400	±0.5

P&H Casters		Scale 1:2.5	Volume (mm ³)	Drawn By: Hua	Date 2019/4/4
Description				Reviewed Andy	 FIRST ANGLE PROJECTION
Part Number Z20F254CLDE REV A	Revision	Sheet 01	Date 2019/4/4		