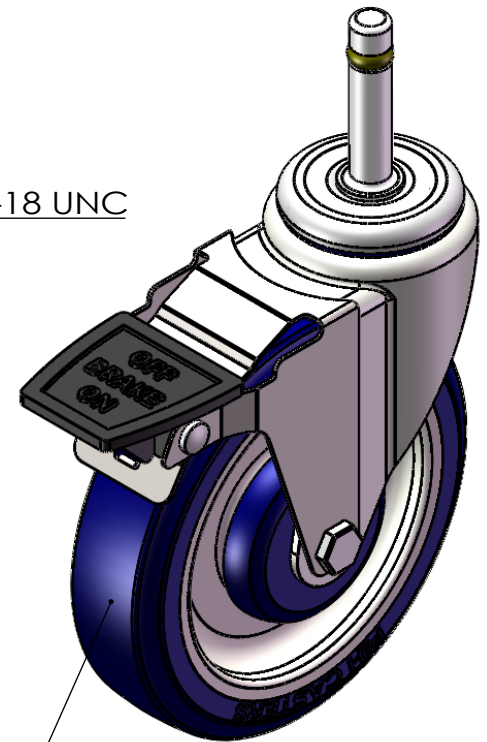
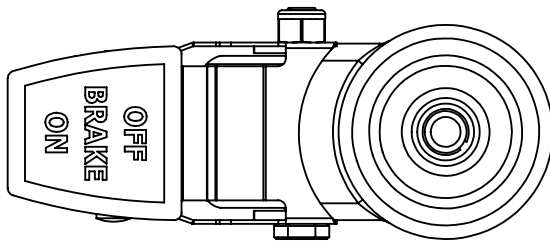


5/16-18 UNC



Durometer: Shore D 46 (+/-5)



Dimensions in mm [inch]

P&H Casters		Scale 1:2	Volume (mm [^] 3)	Drawn By: Hua	Date 2020/3/13
Description CASTER				Reviewed Andy	 <small>FIRST ANGLE PROJECTION</small>
Part Number Z20F254CLDET REV A	Revision	Sheet 01	Date 2020/3/13		