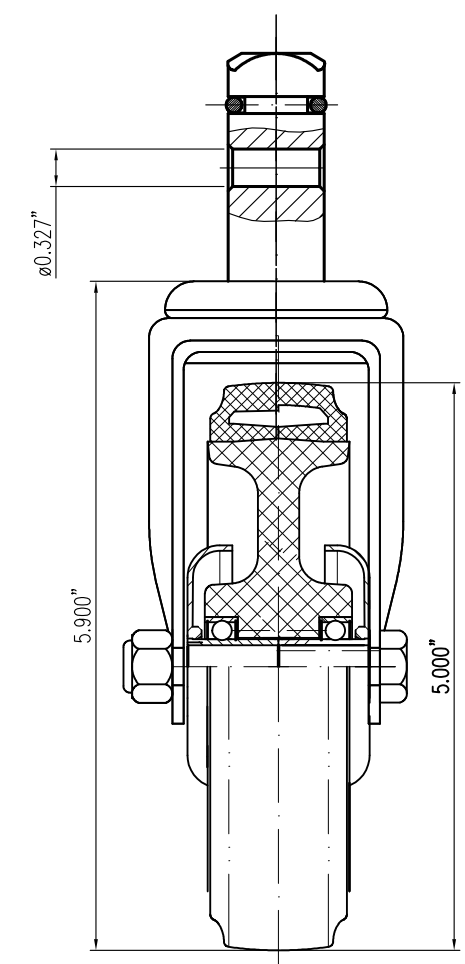


| RevNo | Revision note | Date | Signature | Checked |
|-------|---------------|------|-----------|---------|
| A     |               |      |           |         |



|                             |               |              |                   |                 |                  |
|-----------------------------|---------------|--------------|-------------------|-----------------|------------------|
| P&H Caster                  |               | Scale<br>1:1 | Finish            | Drawn by<br>Bob | Date<br>12/16/13 |
| Description<br>YOKE         |               |              | Zhejiang Approval |                 | Date             |
| Part Number<br>CAS617-LC-GR | Revision<br>A | Sheet        | P&H Approval      | Date            |                  |

THE INFORMATION CONTAINED IN THIS DRAWING IS CONFIDENTIAL AND SOLE PROPERTY OF P&H CASTER CO. ANY REPRODUCTION IN PART OR AS A WHOLE WITHOUT THE WRITTEN PERMISSION OF P&H CASTER IS PROHIBITED.