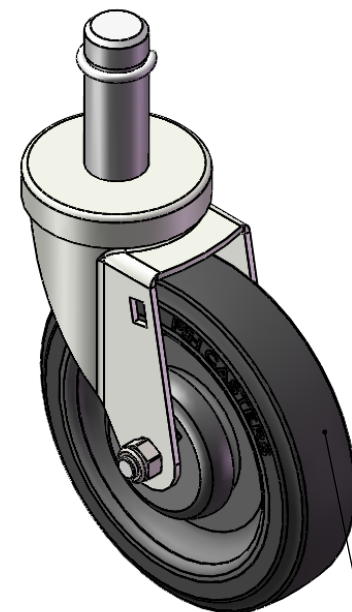
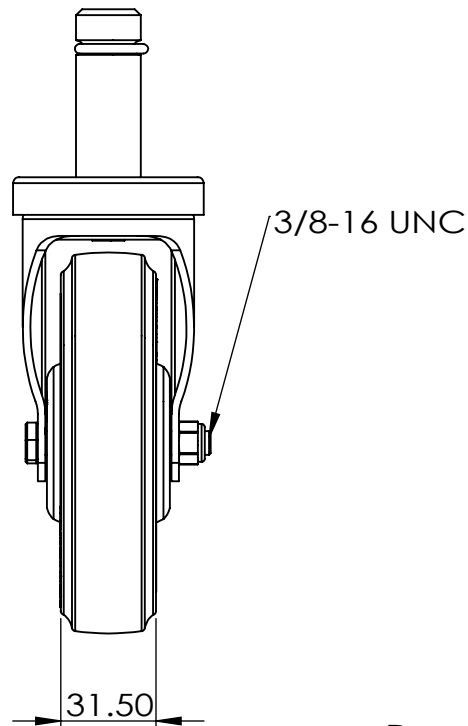
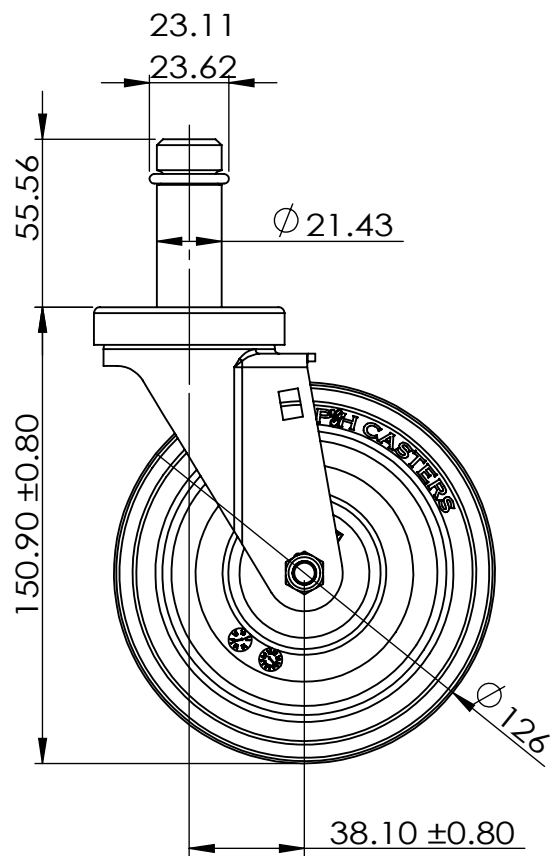


REV NO.	Revision Note	Date	Signature



Durometer: Shore D 46 (+/-5)

Dimensions in mm [ inch ]

<b>P&amp;H Casters</b>	Scale <b>1:2.5</b>	Volume ( mm <sup>3</sup> )	Drawn By: Hua	Date 2019/4/8
Description CASTER			P&H Approval	
Part Number Z20F754CGGE REV A	Revision	Sheet <b>01</b>	Date	 <small>FIRST ANGLE PROJECTION</small>