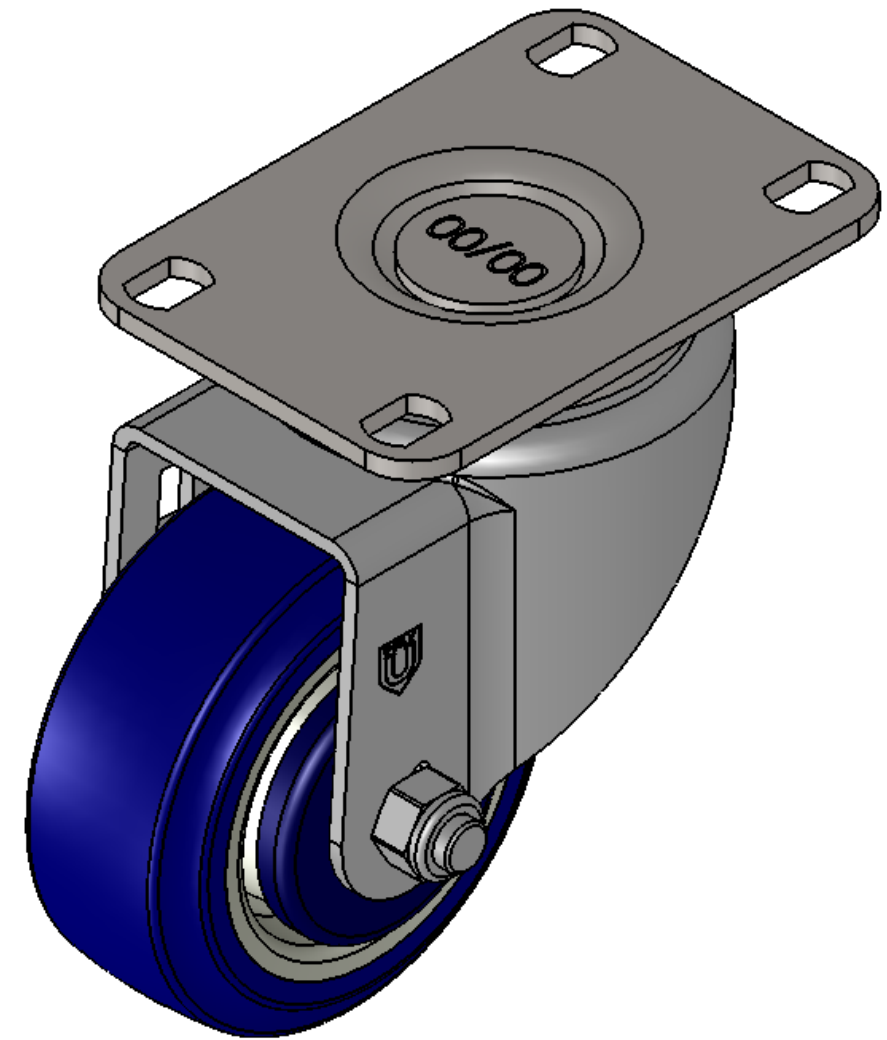
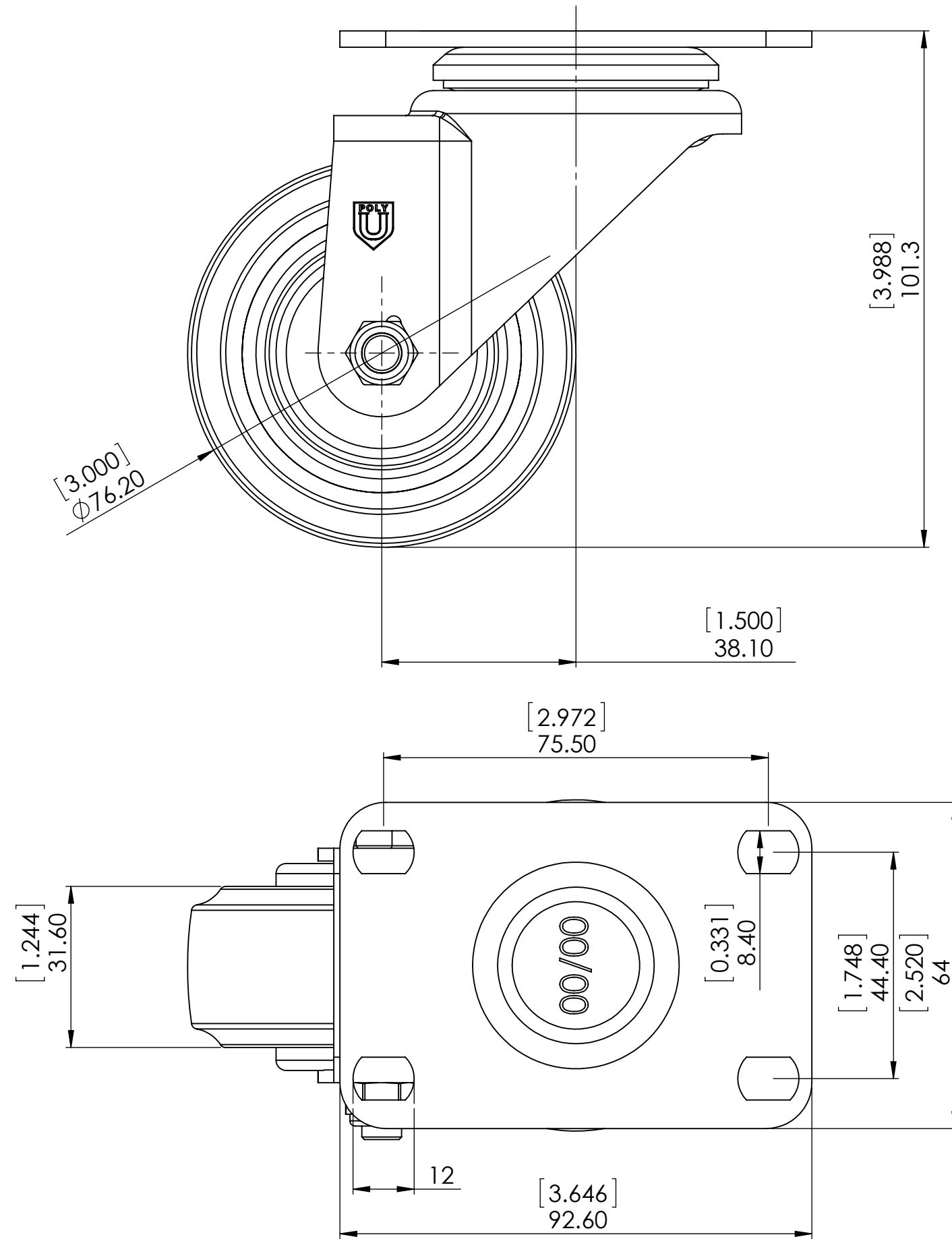


REV NO.	Revision Note	Date	Signature	Checked



P&H Casters	Scale 1:1	Volume (mm ³)	Drawn By: Tom	Date 8/01/2011
Description	CASTER		Zhejiang Approval	Date
Part Number Z20P134CLDE	Revision REV A	Sheet 01	P&H Approval	Date