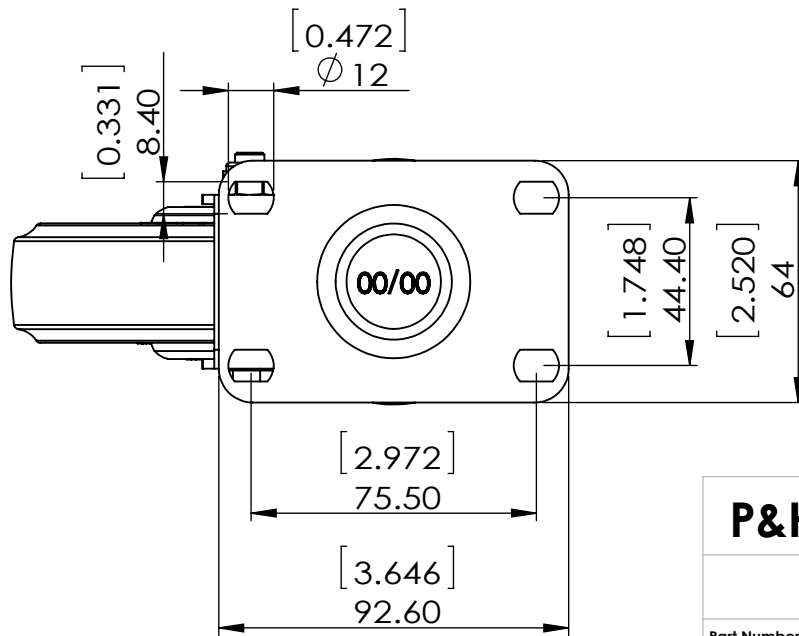


Durometer: Shore D 46 (+/-5)



Dimensions in mm [ inch ]

<b>P&amp;H Casters</b>		Scale	<b>1:2</b>	Volume ( mm <sup>3</sup> )	Drawn By:	Date
Description		CASTER			Hua	2019/9/11
Part Number	Revision	Sheet	<b>01</b>	Date	Andy	 FIRST ANGLE PROJECTION
Z20P154CLDE	REV A			2019/9/11		