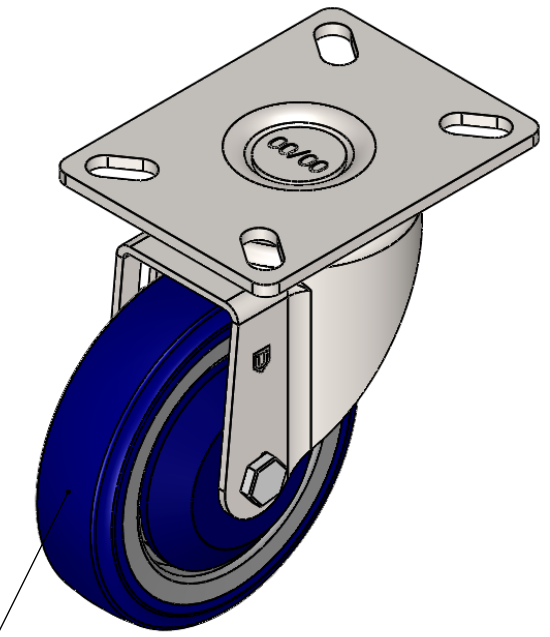
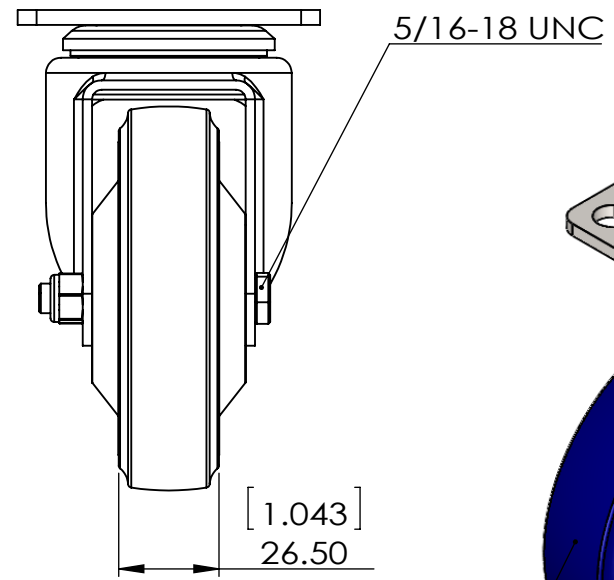
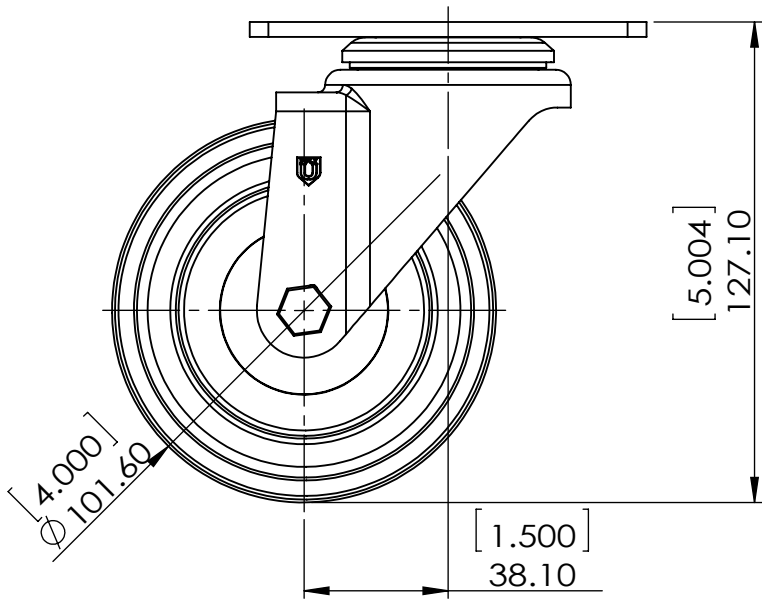
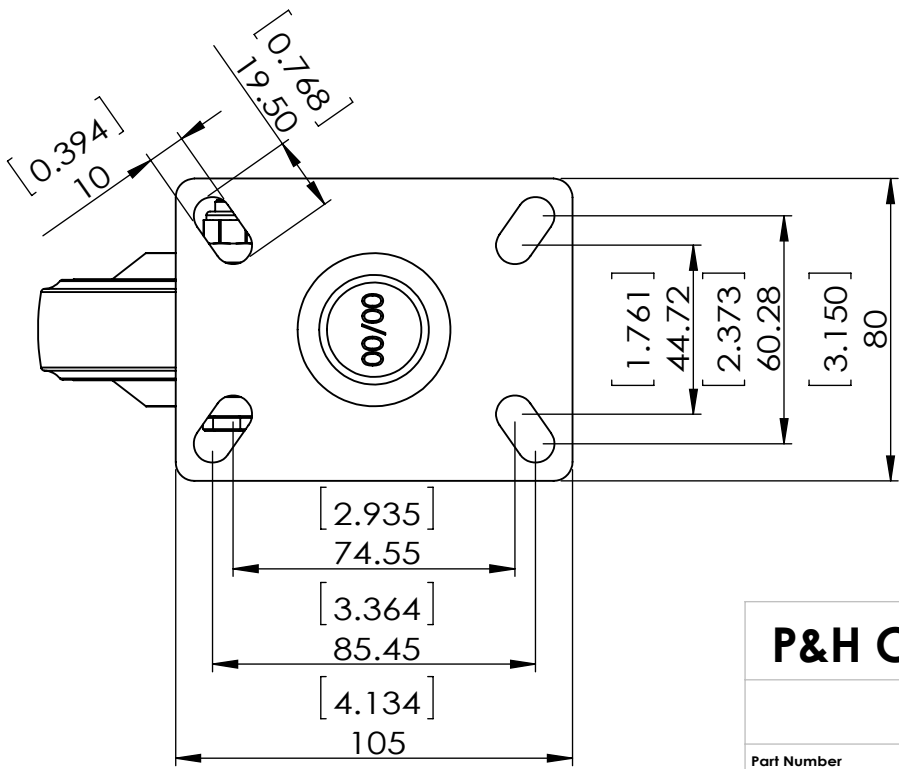


REV NO.	Revision Note	Signature	Date	Checked	Date



Durometer: Shore D 46 (+/-5)



Dimensions in mm [inch]

P&H Casters		Scale 1:2	Volume (mm ³)	Drawn By: Hua	Date 2019/5/13
Description CASTER				Reviewed Andy	
Part Number Z20P244CLDE REV A	Revision	Sheet 01	Date 2019/5/13		