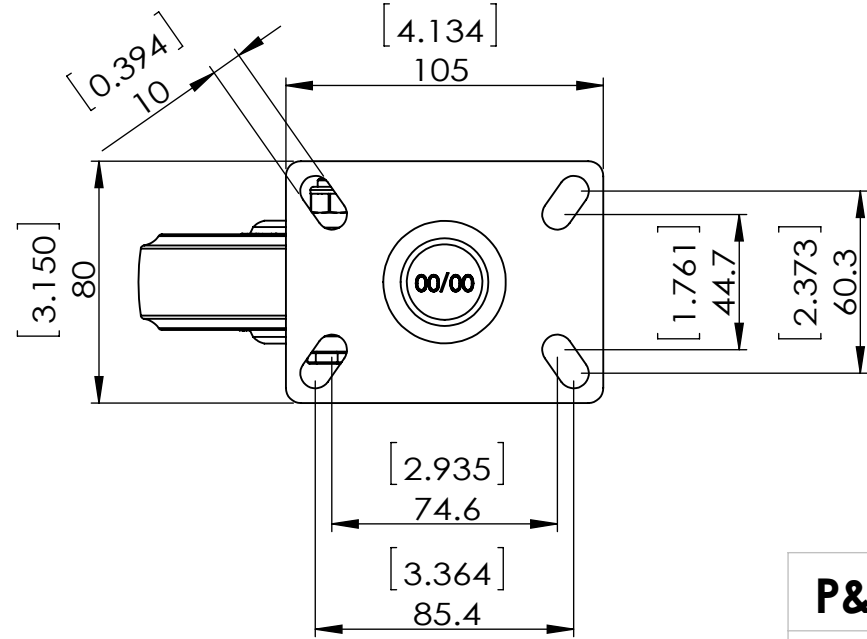
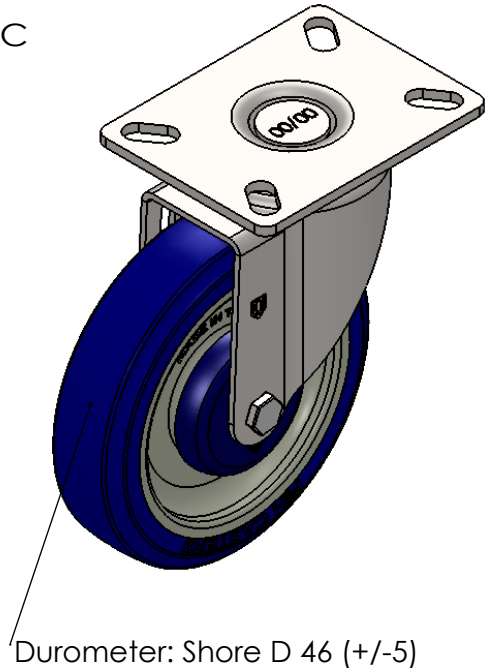
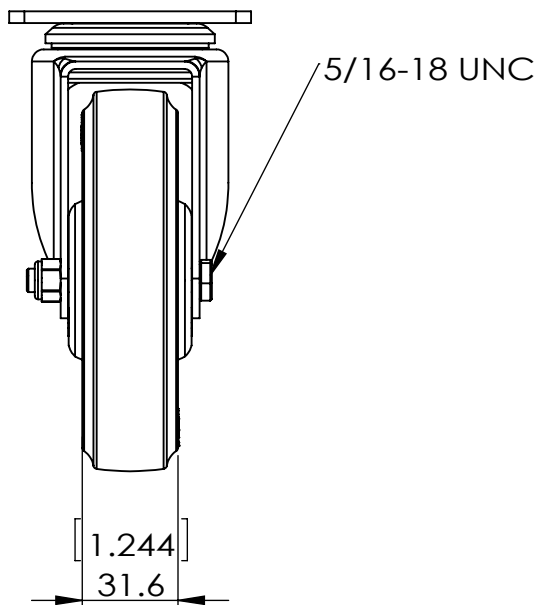
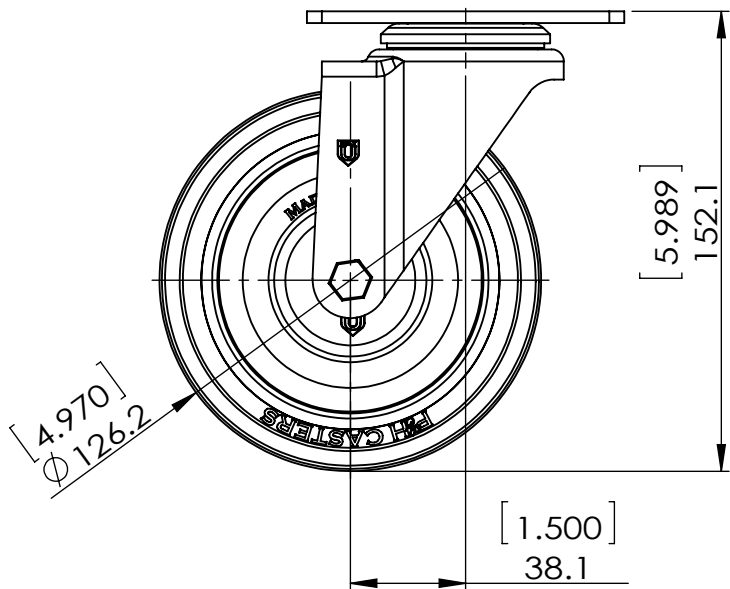


REV NO.	Revision Note	Date	Signature



Dimensions in mm [inch]

P&H Casters	Scale 1:2.5	Volume (mm ^ 3)	Drawn By: Hua	Date 2019/4/3
Description CASTER			P&H Approval	
Part Number Z20P254CLDE REV A	Revision	Sheet 01	Date	