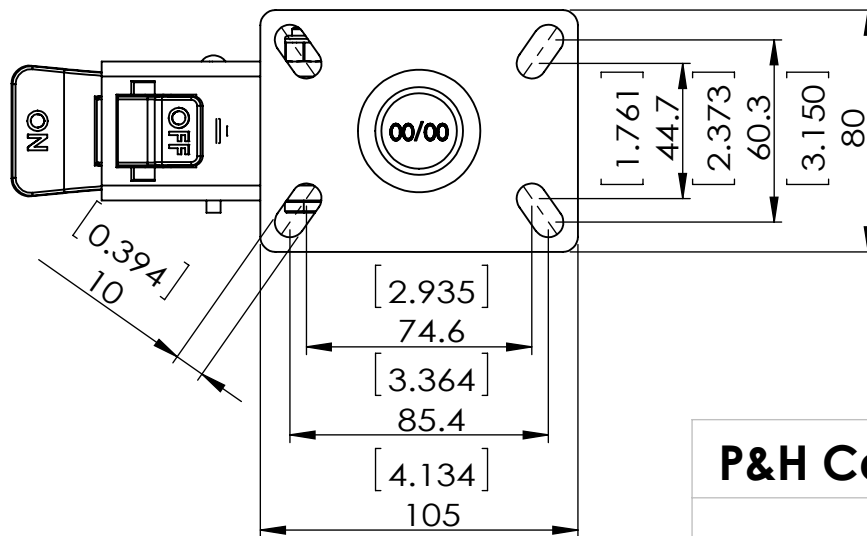


Durometer: Shore D 46 (+/-5)



Dimensions in mm [ inch ]

<b>P&amp;H Casters</b>		Scale	<b>1:2.5</b>	Volume ( mm ^ 3 )	Drawn By:	Date
Description				CASTER		P&H Approval
Part Number	Revision	Sheet	<b>01</b>	Date	 FIRST ANGLE PROJECTION	
<b>Z20P254CLDEIT REV B</b>					Ronny	2019/4/4