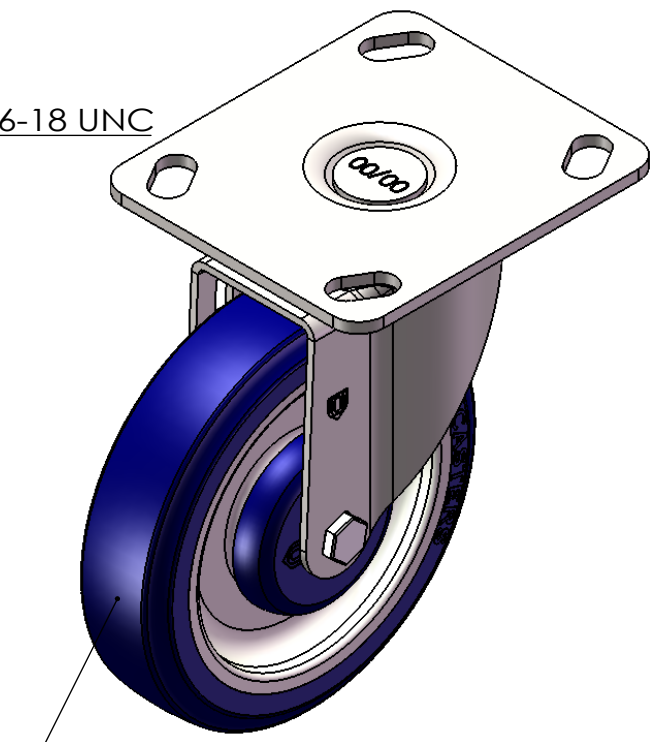
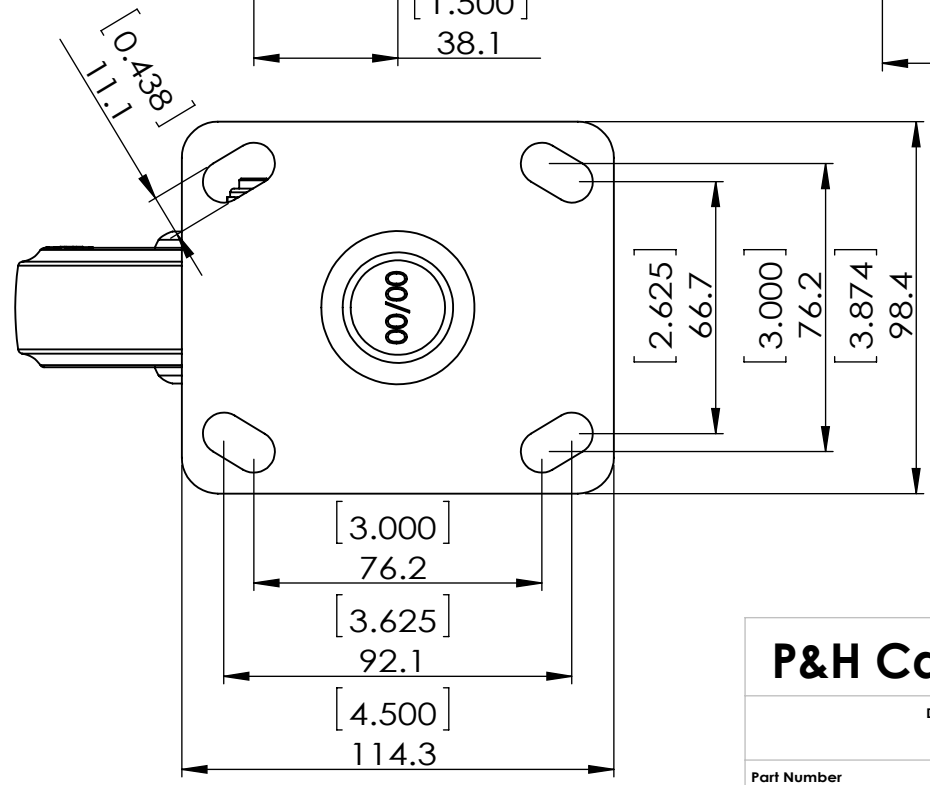


5/16-18 UNC



Durometer: Shore D 46 (+/-5)



Dimensions in mm [inch]

P&H Casters		Scale	1:2	Volume (mm ^ 3)	Drawn By:	Date
Description		CASTER			Hua	2020/3/13
Part Number	Revision	Sheet	01	Date	Andy	
Z20P354CLDE	REV A			2020/3/13		