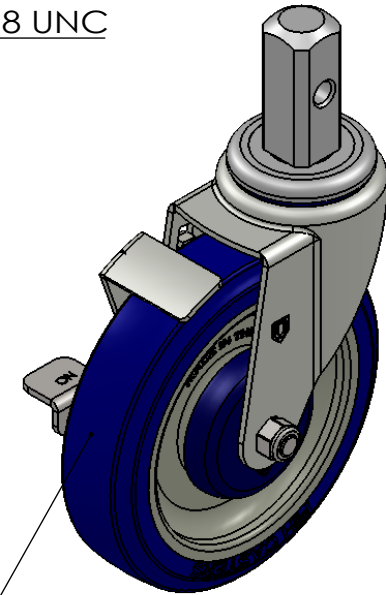


5/16-18 UNC



Durometer: Shore D 46 (+/-5)

Dimensions in mm [inch]

P&H Casters		Scale 1:2.5	Volume (mm ³)	Drawn By: Hua	Date 2017/9/18
Description CASTER				P&H Approval	
Part Number Z20S254CLDEB REV A	Revision	Sheet 01	Date	 <small>FIRST ANGLE PROJECTION</small>	