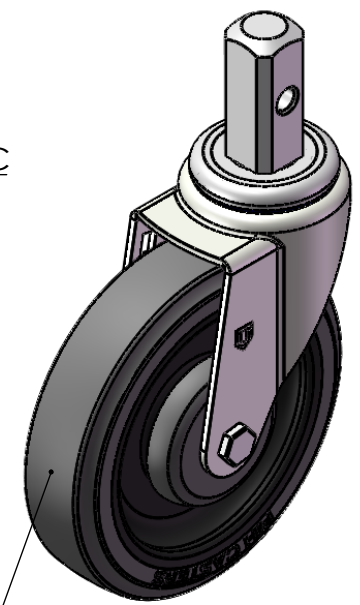
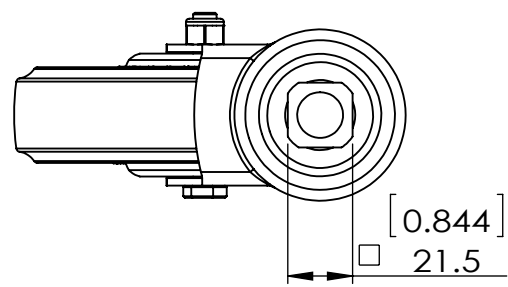


5/16-18 UNC



Durometer: Shore A 76~82



Dimensions in mm [inch]

P&H Casters		Scale 1:2.5	Volume (mm ³)	Drawn By: Hua	Date 2020/6/3
Description CASTER				Reviewed Andy	 FIRST ANGLE PROJECTION
Part Number Z20S254NEDE REV A	Revision	Sheet 01	Date 2020/6/3		