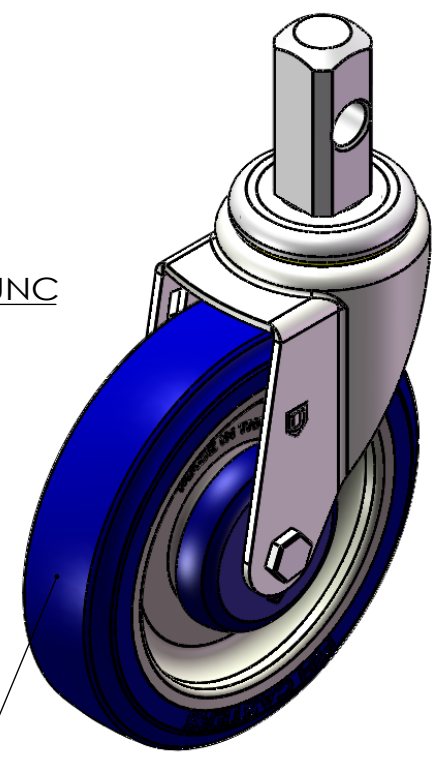
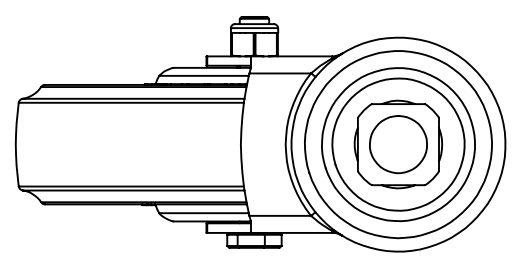


5/16-18 UNC



Durometer: Shore D 46 (+/-5)



Dimensions in mm [inch]

P&H Casters		Scale 1:2	Volume (mm ³)	Drawn By: Hua	Date 2019/10/22
Description				Reviewed Andy	 FIRST ANGLE PROJECTION
Part Number Z20S554CLDE REV A	Revision	Sheet 01	Date 2019/10/22		